

# FAG Split Plummer Block Housings of Series SNV

for shaft diameters of 20 to 160 mm and  $\frac{3}{4}$  to  $5\frac{1}{2}$  inches

**FAG**

Rolling Bearings

FAG OEM und Handel AG

Publ. No. WL 90 118/3 EA



---

**FAG Split Plummer Block Housings of Series SNV**  
for shaft diameters of 20 to 160 mm and  $\frac{3}{4}$  to  $5\frac{1}{2}$  inches

**Publ. No. WL 90118/3 EA**

**FAG OEM und Handel AG**

A Company of the FAG Kugelfischer Group

Postfach 1260 · 97419 Schweinfurt · Germany  
Telephone (0 97 21) 91-0 · Fax (0 97 21) 91 34 35  
Telex 67345-0 FAG d  
Internet: <http://www.fag.de>

## Preface

The OEM und Handel company of the FAG Kugelfischer Georg Schäfer AG Group supplies rolling bearings, necessary accessories, and services to original equipment customers in machinery and plant construction as well as to customers in the distribution and spare parts business. Comprehensive rolling bearing know-how, competent consultation on applications, and extensive customer service for more operational reliability make FAG an indispensable partner to its cus-

tomers. Development and further development of our products is based on the requirements of operation in the field. An ideal outline of requirements is best achieved through cooperation of our application engineers with the manufacturers and operators of machinery. It forms the basis for successful solutions both technically and economically speaking.

Production locations are found in Germany, Italy, Portugal, the USA and India. Sales are conducted by subsidiaries and distribution partners in almost every country in the world.



## Contents

Split FAG plummer block housings of series SNV .....	3
Dimensions, material .....	4
Bearing seat and bearing mounting .....	4
Seals and covers .....	4
Lubrication .....	6
Mounting instructions .....	10
Additional holes for fastening bolts and pins .....	14
Loadability .....	14
Codes, Ordering examples .....	16
Dimensional tables .....	18

## Split plummer block housings of series SNV

The FAG split plummer block housings of series SNV, fig. 1, were designed according to the modular system and developed on the basis of the SN/SNE housings. Rolling bearings of diverse diameter and width series can be mounted in any SNV housing if they have an outside diameter suitable for the housing, fig. 2.

Suitable bearing types are, for example, self-aligning ball bearings, barrel roller bearings, split and unsplit spherical roller bearings and deep groove ball bearings.

The bearings are either directly seated on the shaft or fixed with adapter sleeves. This results in different shaft diameters

for the same bearing size. Corresponding seals compensate for the gaps between the shaft and the housing passage.

FAG supplies split plummer block housings of series SNV for shafts with diameters from 20 to 160 mm and for  $\frac{3}{4}$  to  $5\frac{1}{2}$  inches.

The numbers in the housing codes indicate the housing bore and therefore the outside diameter of the suitable bearing e.g. 100 mm in the case of SNV100.

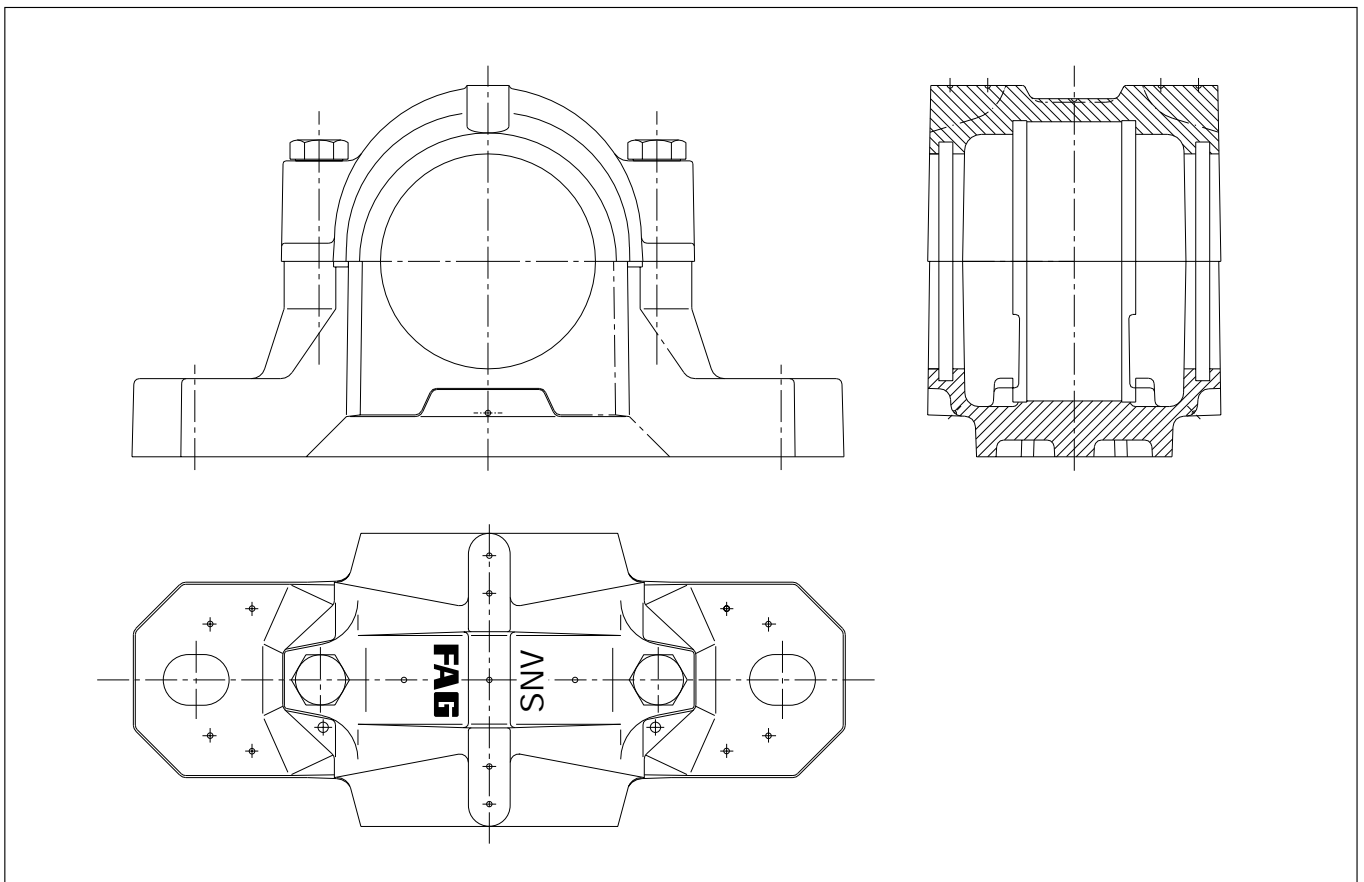
The main advantages of the SNV housing are:

- Easier stock-keeping due to the modular design. One housing size is suitable for different shaft diameters.
- High loadability.
- Depending on operating conditions two-lip seals, labyrinth seals, felt seals

or combined seals can be used. Special seals are available upon request.

- Centered locating bearings by means of two locating rings of identical width.
- Plane faces at housing base allow the housing to be secured with stops if high forces do not act vertically on the housing support surface.
- Holes can be drilled at spots marked on the housing for: lubricating and monitoring systems, fastening bolts, straight or tapered pins.
- Universal coating of all outer surfaces of the housing which are not machined (colour RAL 7031, blue-grey). The paint can be coated with all synthetic resin, polyurethane, acrylic, epoxy resin, chlorine rubber, cellulose, and acid-hardening hammer dimple enamels.

### 1: Split plummer block housing of series SNV



## Dimensions, material

The dimensions of the FAG housings of series SNV correspond to ISO 113 and DIN 736 to DIN 739.

The SNV housings are interchangeable with the former SN/SNE housings.

The SNV housings are made of cast iron, material no. 0.6027. Their loadability is considerably higher than that of the SN/SNE housings (see "Loadability" section).

For particularly high stresses nodular cast iron, material no. 0.7040, may also be used (please inquire about availability).

## Bearing seat and bearing mounting

The bearing seat in the SNV housing is machined to H7 (applies to condition on supply, i.e. prior to loosening the connecting bolts of upper and lower part). The bearings can be displaced thus acting as floating bearings. Locating bearings are obtained by inserting two FRM locating rings, one on each bearing side. The bearing is then in the centre of the housing.

Rolling bearings which are seated directly on a stepped shaft or with an adapter sleeve on a straight shaft can be fitted into SNV housings, fig. 2.

A diameter tolerance of the shaft according to h8 (h9) is permissible when fastening with adapter sleeve.

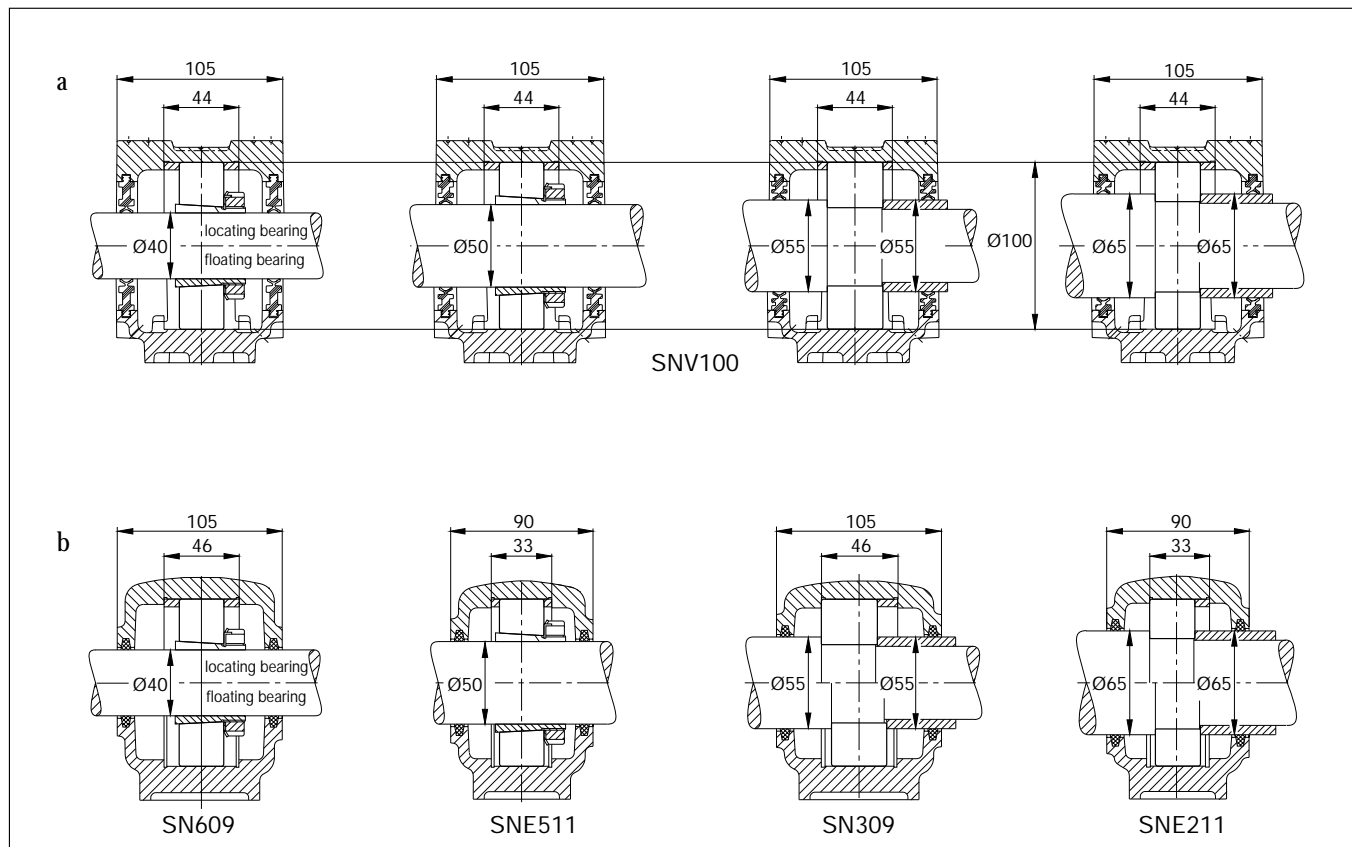
## Seals and covers

Seals and covers fit into the annular grooves, with rectangular profile, on both sides of the SNV housings.

The DH two-lip seal is usually used. FAG also supplies upon request TSV labyrinth seals, FSV felt seals, TCV combined seals and special seals. The seals must be specified in the order. They are especially suitable for grease lubrication, see "Lubrication" section.

The FAG two-lip seal DH made of acrylonitrile-butadiene rubber (NBR), fig. 3a, is suitable for circumferential velocities of up to 13 m/s. The two-piece seal can be easily inserted into the annular groove of the housing (observe the position of separating joint).

2: The SNV housings are suitable for bearings with diverse diameter and width series which have the same outside diameter, e.g. 100 mm in the case of SNV100 (2a). Formerly four housing sizes were required for the shaft diameters indicated (2b).



The sealing lips slide on the rotating shaft. The outer sealing lip prevents the penetration of dirt into the bearing. This is also supported by the grease filled between the two lips during mounting. The inner lip prevents the escape of grease from the housing. The two-lip seal permits shaft inclinations of up to  $0.5^\circ$  in both directions. It is suitable for temperatures between  $-40^\circ\text{C}$  and  $+100^\circ\text{C}$ . At the contact area of the sealing lips the roughness of the shaft should correspond to class N8 (DIN ISO 1302).

FAG labyrinth rings of the series TSV, fig. 3b, are also suitable for higher circumferential velocities since they are non-

rubbing. The O ring which is pressed in between the shaft and labyrinth ring ensures that the labyrinth ring does not slip despite its loose fit. The O ring, which is made of fluoro-caoutchouc (Viton<sup>®</sup>), is suitable for temperatures up to  $200^\circ\text{C}$ . The labyrinth seal accepts shaft inclinations of up to  $0.5^\circ$  in both directions. The labyrinth can be relubricated at position 1 and 5, fig. 4, if required.

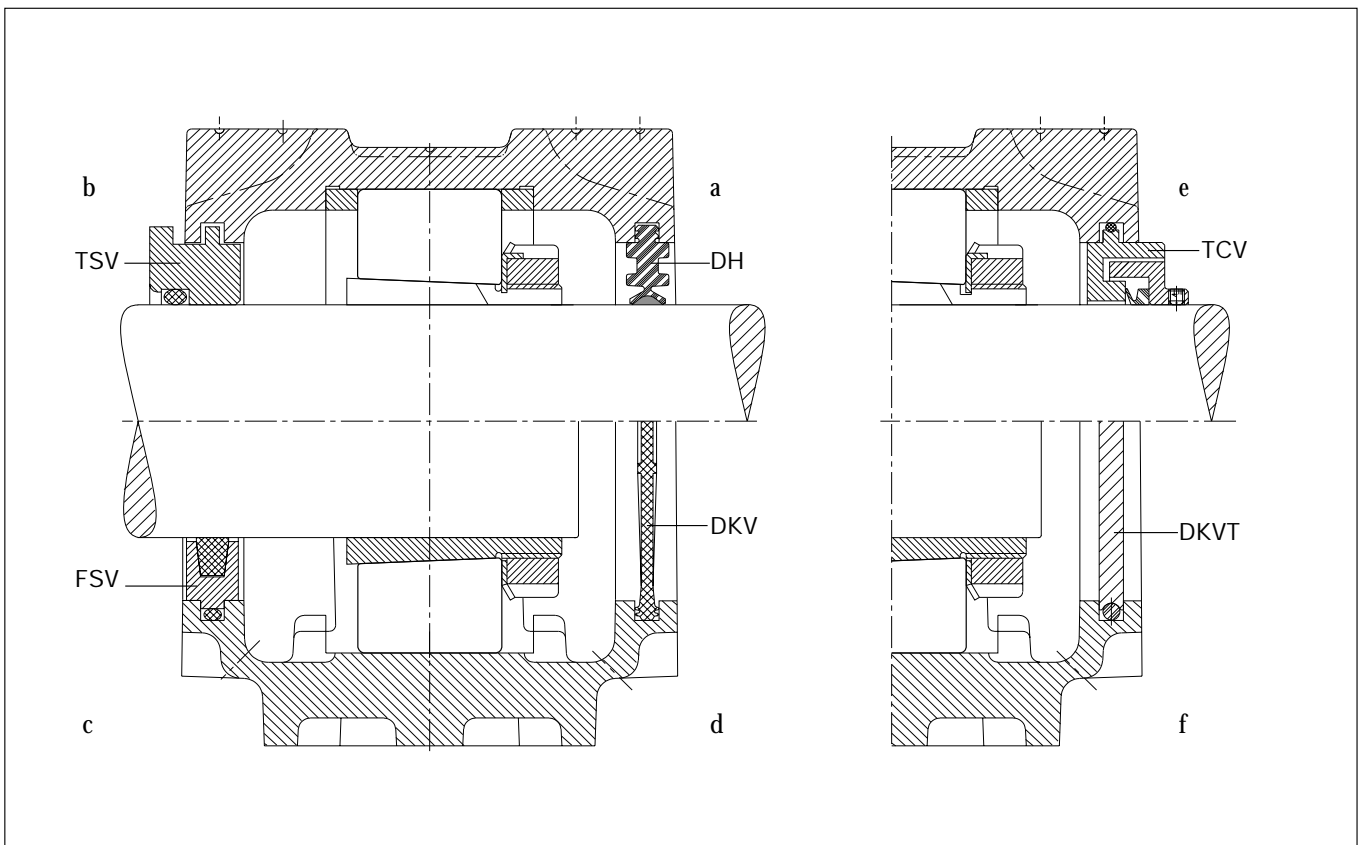
FAG FSV felt seals, fig. 3c, are suitable for grease lubrication and temperatures up to  $100^\circ\text{C}$  (aramide packages for higher temperatures available upon request). The adapter with the felt strip, which is previously soaked in oil, is secured in the

housing groove and is prevented from rotating by an O-ring. Felt seals are suitable for circumferential velocities of up to 5 m/s and, after the running-in phase, up to 15 m/s. The permissible shaft inclination is  $0.5^\circ$  in both directions.

Seals made up of a combination of labyrinth seat and V ring (TCV), fig. 3e, are available upon request.

If the SNV housings are to be closed on one side, the DKV covers have to be ordered separately. The synthetic covers are suitable for long-term operation at temperatures up to  $120^\circ\text{C}$ . DKVT covers for higher temperatures, fig. 3f, are available upon request.

### 3: Seals and covers for SNV housings



# Lubrication

## Lubrication

### Grease lubrication

In many cases, the bearings can be greased for-life, i.e. the initial grease fill (see fig. 5 for initial grease fill amounts) will last for the entire bearing life if using rubbing seals (e.g. DH, FSV). The bearings are packed to capacity with grease and 60% of the housing cavities is filled.

The FAG rolling bearing grease Arcanol L135V, a lithium soap base grease of the NLGI class 2 with particularly effective EP additives is especially suitable (see FAG Publ. No. WL 81 116 also) for bearing operating temperatures  $< 100\text{ }^{\circ}\text{C}$ , bearing loads  $P/C < 0.3$  and a bearing-related speed index  $k_a \cdot n \cdot d_m < 700\,000\text{ min}^{-1} \cdot \text{mm}$  ( $k_a = 1$  for self-aligning ball bearings and deep groove ball bearings,  $k_a = 2$  for spherical roller bearings).

In the case of a speed index  $n \cdot d_m < 50\,000\text{ min}^{-1} \cdot \text{mm}$  and non-rubbing sealing (e.g. TSV), where the grease also has to function as a seal, the housing and sealing cavities may be packed to capacity.

### Grease change

A change of grease for new grease should be undertaken if the attainable fatigue life of the bearing is considerably longer than the grease service life (to be found in FAG Publ. No. WL 81 115 "Rolling Bearing Lubrication").

### Grease relubrication Grease outlet hole

If, in isolated cases, the grease exchange intervals are too short, relubrication is recommended. The lubricant can be supplied to the housing laterally or where bearings with lubricating groove and holes are used also centrally. In the case of lateral lubrication the housing cavities on the side of the grease nipple must be filled to about 100% so that the

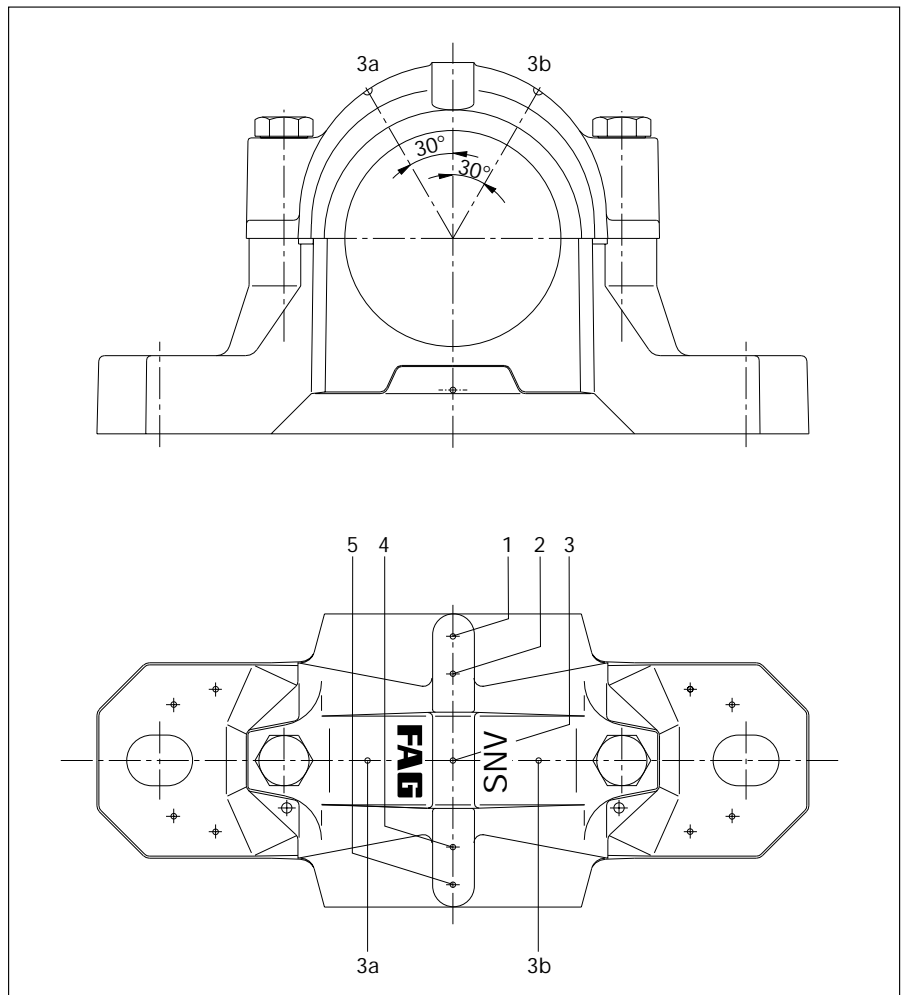
replenished grease reaches the bearing immediately. Depending on the seal type selected and on the application in question, the housing top can be provided with grease nipples for lubricant supply at positions 2 or 4, fig. 4, and on the opposite side of the housing base the grease outlet hole can be provided (an absolute must for DH seals).

The grease nipple and outlet hole are specified in the order by adding the suffix G944A\* to the housing code. Please refer

to fig. 6 for the location and dimensions of the holes and the grease nipple.

The far right column of fig. 5 indicates the minimum relubrication quantities. It is not possible to overgrease the bearings if there is a grease outlet hole or non rubbing sealing. The temperature may rise due to the working of the replenished grease. It will drop to its original level after a few running hours when the surplus grease has been expelled. In the interest of the environment it is recommended to dose the lubricant.

### 4: Markings at the housing top for grease nipple connecting holes



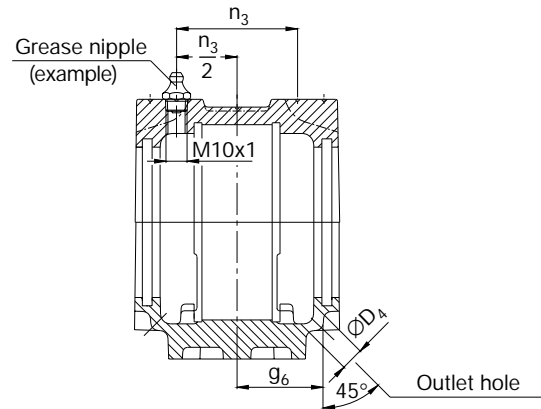
Due to their good flow behaviour, greases of consistency class 2, e.g. Arcanol L135V and L78V, are more suitable for replenishment than greases of higher consistency classes.

### 5: Recommended grease quantities for the initial grease fill (housing cavities 60%, bearings packed to capacity) and the relubrication of SNV housings

Housing	Grease quantity	
	Initial fill g	Re-lubrication
FAG		
SNV052	30	5
SNV062	45	5
SNV072	65	10
SNV080	80	10
SNV085	105	10
SNV090	130	10
SNV100	180	15
SNV110	210	15
SNV120	270	20
SNV125	290	20
SNV130	330	20
SNV140	440	25
SNV150	500	30
SNV160	650	40
SNV170	700	45
SNV180	900	55
SNV190	950	60
SNV200	1200	70
SNV215	1400	80
SNV230	1600	85
SNV240	1700	90
SNV250	2000	100
SNV260	2000	120
SNV270	2500	130
SNV280	2600	140
SNV290	3000	150
SNV300	3100	160
SNV320	3700	200
SNV340	4500	240

### 6: Dimensions recommended for grease nipple connecting holes and grease outlet holes

SNV housings for grease replenishment (suffix G944A\*, supply on request) are equipped with a grease nipple and an outlet hole of the sizes shown in the table.  
Example: Design G944AA with conical grease nipple NIP.DIN71412-AM10x1.



Housing	Connection for grease nipple	Grease outlet hole	
	$\frac{n_3}{2}$ mm	$D_4$ mm	$g_6$ mm
FAG			
SNV052	19	10	27.5
SNV062	21	10	30
SNV072	23	10	33
SNV080	26	10	36
SNV085	23.5	10	34.5
SNV090	29	10	41.5
SNV100	31	15	44
SNV110	33.5	15	46
SNV120	35.5	15	49
SNV125	28.5	10	41
SNV130	38	15	51.5
SNV140	40.5	15	57.5
SNV150	42.5	15	60
SNV160	45	15	62.5
SNV170	46.5	20	64
SNV180	49.5	20	69
SNV190	49.5	20	68.5
SNV200	55.5	20	77.5
SNV215	58.5	20	80
SNV230	61	20	83
SNV240	60	20	81.5
SNV250	65.5	20	89
SNV260	62.5	20	84
SNV270	71.5	20	96.5
SNV280	68	20	92.5
SNV290	76	20	102.5
SNV300	73	20	99.5
SNV320	77	20	104.5
SNV340	81	20	109.5

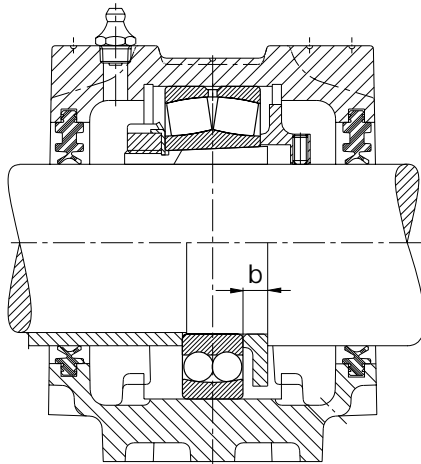
# Lubrication

## Grease valves

For high-speed operation, e.g. with fan bearing arrangements, FAG supply RSV grease valves upon request, fig. 7.

Grease valves for SNV housings of design G944A\* must be listed separately in the order. RSV5 or RSV6 grease valves are used for bearings with adapter sleeves while RSV2 or RSV3 valves are used for bearings with cylindrical bore.

7: RSV grease valve



Grease valve	Width b mm	Grease valves	Width b mm
FAG		FAG	
RSV205 to 211	8	RSV305 to 308	8
RSV212 to 218	10	RSV309 to 313	10
RSV219 to 222	13	RSV314 to 316	13
RSV224 to 232	15	RSV317 to 322	15
		RSV324 to 332	16

## Oil lubrication

The SNV housings are designed for both oil sump and circulation oil lubrication. The housings are spacious with oil collecting pockets in the base, oil inlet and outlet holes, holes for connecting oil level gauges and temperature sensors. Connection dimensions fig. 8.

In the case of oil sump lubrication a minimum oil level must be maintained ( $h_3$  dimension in fig. 8). If FAG two-lip seals are used, a certain leakage must be taken into account. Leakage is inevitable with split seals and with seals which are not spring-preloaded. To keep the leakage rate down, the seal contact surface on the shaft should have the following quality:

hardness at least 55 HRC,

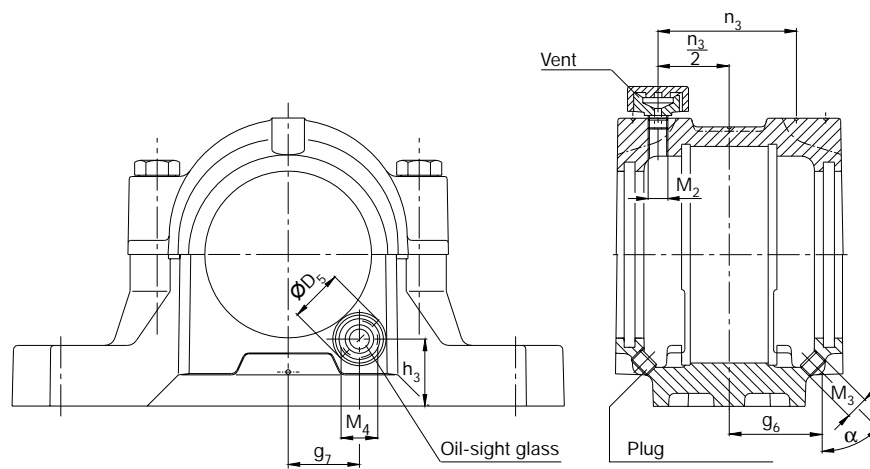
ground twist-free with  $R_a = 0.2 \mu\text{m}$  to max.  $0.5 \mu\text{m}$ .

The joint between housing top and base must be sealed with a thin layer of a commercial sealing compound (permanent elasticity). In the case of housings closed at one end, the groove bottom must also be filled with the sealing compound.

Technically-speaking, an oil-proof design is only possible with a spring-preloaded, unsplit radial shaft seal. Please note: the housing must be ventilated in the case of oil sump lubrication (e.g. closing the inlet hole with a ventilation plug). Please contact the FAG advisory service about design and availability.

**8: Dimensions recommended for the connecting holes of oil inlet, oil outlet and oil-sight glass for oil sump lubrication.**  
**For oil circulation lubrication the bore  $M_4$  can be used as the oil outlet.**

SNV housings for oil sump lubrication (suffix G944BA) contain  
 1 Oil-sight glass OSGL.MOD24OMR-R./...,  
 1 Vent VENT.MOD556E-R./...,  
 2 Plugs VSB.DIN906-M10x1-ST.  
 FAG supply the G944BA design upon request.



Housing	Connection for oil inlet		Connection for oil outlet			Connection for oil-sight glass			
	$M_2$	$\frac{n_3}{2}$ mm	$M_3$	$\alpha$ °	$g_6$ mm	$M_4$	$g_7$ mm	$h_3$	$D_5$
SNV100	G <sup>1/4</sup>	31	M10x1	50	44	G <sup>3/8</sup>	33	31	25
SNV110	G <sup>1/4</sup>	33.5	M10x1	50	46	G <sup>3/8</sup>	35	28	25
SNV120	G <sup>1/4</sup>	35.5	M10x1	50	49	G <sup>3/8</sup>	38	35	25
SNV125	G <sup>1/4</sup>	28.5	M10x1	50	49	G <sup>3/8</sup>	44	24	25
SNV130	G <sup>1/4</sup>	38	M10x1	50	51.5	G <sup>1/2</sup>	43	28.5	30
SNV140	G <sup>1/4</sup>	40.5	M10x1	60	57.5	G <sup>1/2</sup>	45	40	30
SNV150	G <sup>1/4</sup>	42.5	M10x1	60	60	G <sup>1/2</sup>	47	38	30
SNV160	G <sup>1/4</sup>	45	M10x1	60	62.5	G <sup>1/2</sup>	50	39	30
SNV170	G <sup>1/4</sup>	46.5	M10x1	60	64	G <sup>3/4</sup>	55	46	38
SNV180	G <sup>1/4</sup>	49.5	M10x1	60	69	G <sup>3/4</sup>	57	43	38
SNV190	G <sup>1/4</sup>	49.5	M10x1	60	68.5	G <sup>3/4</sup>	48	45	38
SNV200	G <sup>1/4</sup>	55.5	M10x1	60	77.5	G <sup>3/4</sup>	62	50	38
SNV215	G <sup>1/4</sup>	58.5	M10x1	60	80	G <sup>3/4</sup>	67	58	38
SNV230	G <sup>1/4</sup>	61	M10x1	60	83	G <sup>3/4</sup>	70	60	38
SNV240	G <sup>1/4</sup>	60	M10x1	60	81.5	G <sup>3/4</sup>	61	60	38
SNV250	G <sup>1/4</sup>	65.5	M10x1	60	89	G <sup>3/4</sup>	75	55	38
SNV260	G <sup>1/4</sup>	62.5	M10x1	60	84	G <sup>3/4</sup>	65	65	38
SNV270	G <sup>1/4</sup>	71.5	M10x1	60	96.5	G <sup>3/4</sup>	81	55	38
SNV280	G <sup>1/4</sup>	68	M10x1	60	92.5	G <sup>3/4</sup>	70	60	38
SNV290	G <sup>1/4</sup>	76	M10x1	60	102.5	G <sup>3/4</sup>	87	58	38
SNV300	G <sup>1/4</sup>	73	M10x1	60	99.5	G <sup>3/4</sup>	75	70	38
SNV320	G <sup>1/4</sup>	77	M10x1	60	104.5	G <sup>3/4</sup>	80	73	38
SNV340	G <sup>1/4</sup>	81	M10x1	60	109.5	G <sup>3/4</sup>	95	75	38

# Mounting

## Mounting instructions

Correct mounting has a decisive influence on the attainable life of the bearing.

Careful attention should therefore be paid to the following mounting instructions. Further information can be found in the FAG Publ. No. WL 80 100 "Mounting and Dismounting of Rolling Bearings".

The bearings which fit into the SNV housings can be fastened onto the shaft with adapter sleeves or seated directly on the shaft with a cylindrical bore. The required machining tolerances of the shaft can be taken from the catalogue WL 41 520 "FAG Rolling Bearings". When using adapter sleeves, the tight fit is obtained by pushing the inner ring axially onto the shaft and from the resulting radial expansion of the inner ring. The axial displacement or reduction in radial clearance of the bearing is the dimension (see table 9 for recommended

values). Pressing on is facilitated by using an FAG hydraulic nut.

In the case of spherical roller bearings the reduction in radial clearance is determined by measuring the remaining clearance with feeler gauges. Self-aligning ball bearings are pressed so far onto the sleeve until a slight resistance can be felt when the outer ring is swivelled out. However, the outer ring must be easy to rotate in circumferential direction.

Housing tops and bases are not interchangeable.

The support surface must first be cleaned and checked for flatness prior to mounting the SNV plummer block housings.

See section "Loadability", page 14, for flatness tolerances (DIN ISO 1101).

The housing base, which has been cleaned, is then fixed to the support surface with the fastening bolts. The bolts should not be fully tightened so that the housing can be adjusted at a later stage.

## Mounting the bearings on the shaft

Bearings with a cylindrical bore are pressed onto the shaft or, even better, pushed on in heated condition. The bearing inner ring must abut the shaft shoulder accurately. If necessary, press again after cooling.

When mounting bearings with tapered bores and adapter sleeves it must be insured that the bearing is seated in the centre of the housing before fixing. This is achieved by inserting the shaft with the bearing in the housing base and adjusting it. Axial displacement of the bearing on the sleeve must also be taken into consideration.

## Mounting split spherical roller bearings

Split FAG spherical roller bearings are mounted similarly. Particularities for mounting split bearings are enclosed with the bearings upon delivery.

## 9: Reduction in radial clearance for FAG spherical roller bearings with tapered bore

Nominal bore		Radial clearance prior to mounting Clearance group						Reduction in radial clearance <sup>1)</sup>				Axial displacement on the taper 1:12 <sup>1)</sup>				Control value for the radial clearance after mounting		
d	to	CN (normal)		C3		C4				Shaft		Sleeve		CN	C3	C4		
over mm		min	max	min	max	min	max	min	max	min	max	min	max	min	min	min		
<b>24</b>	<b>30</b>	0.03	0.04	0.04	0.055	0.055	0.075	0.015	0.02	0.3	0.35	0.3	0.4	0.015	0.02	0.035		
<b>30</b>	<b>40</b>	0.035	0.05	0.05	0.065	0.065	0.085	0.02	0.025	0.35	0.4	0.35	0.45	0.015	0.025	0.04		
<b>40</b>	<b>50</b>	0.045	0.06	0.06	0.08	0.08	0.1	0.025	0.03	0.4	0.45	0.45	0.5	0.02	0.03	0.05		
<b>50</b>	<b>65</b>	0.055	0.075	0.075	0.095	0.095	0.12	0.03	0.04	0.45	0.6	0.5	0.7	0.025	0.035	0.055		
<b>65</b>	<b>80</b>	0.07	0.095	0.095	0.12	0.12	0.15	0.04	0.05	0.6	0.75	0.7	0.85	0.025	0.04	0.07		
<b>80</b>	<b>100</b>	0.08	0.11	0.11	0.14	0.14	0.18	0.045	0.06	0.7	0.9	0.75	1	0.035	0.05	0.08		
<b>100</b>	<b>120</b>	0.1	0.135	0.135	0.17	0.17	0.22	0.05	0.07	0.7	1.1	0.8	1.2	0.05	0.065	0.1		
<b>120</b>	<b>140</b>	0.12	0.16	0.16	0.2	0.2	0.26	0.065	0.09	1.1	1.4	1.2	1.5	0.055	0.08	0.11		
<b>140</b>	<b>160</b>	0.13	0.18	0.18	0.23	0.23	0.3	0.075	0.1	1.2	1.6	1.3	1.7	0.055	0.09	0.13		

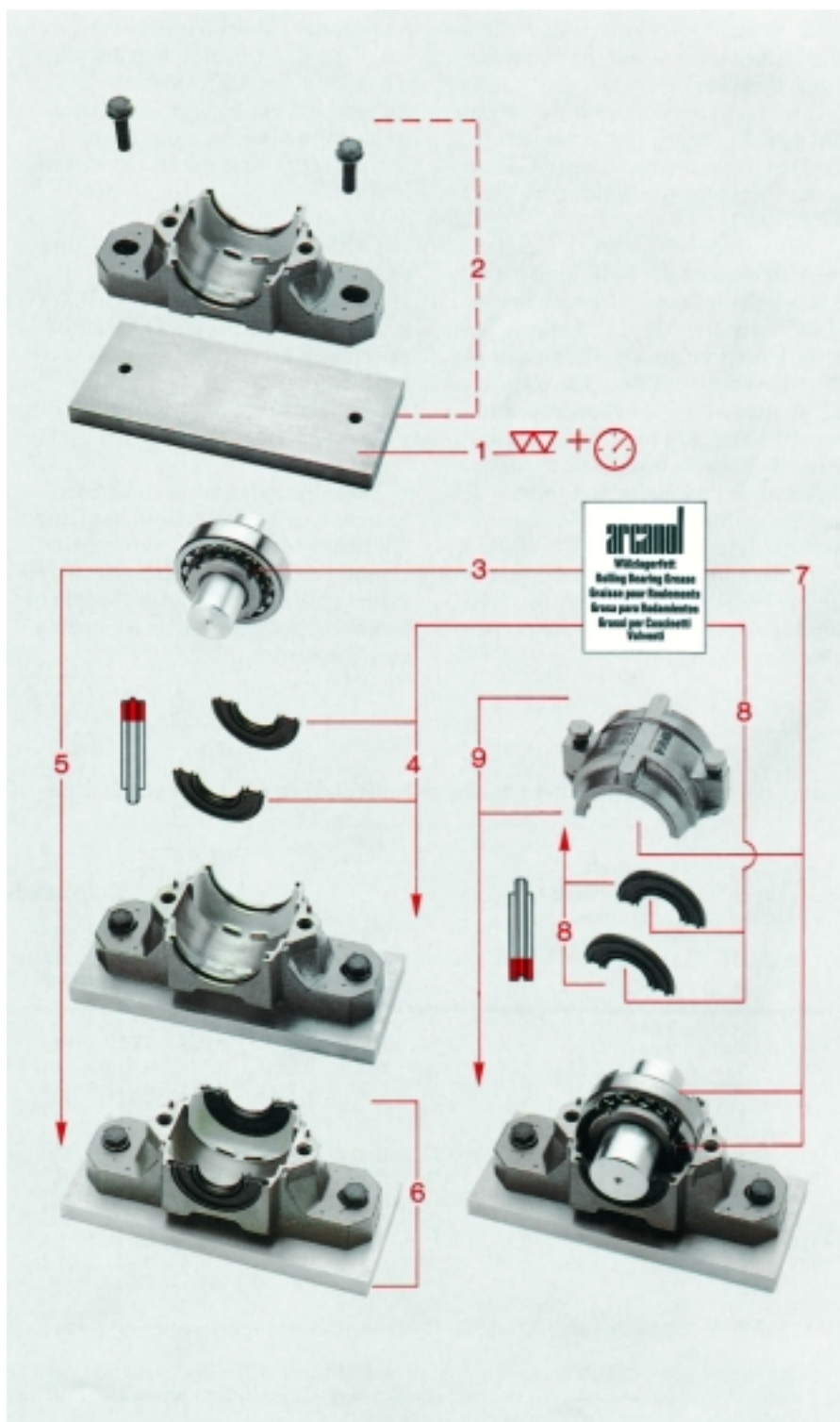
<sup>1)</sup> Only applicable to solid shafts made of steel and to hollow shafts with a bore not larger than half the shaft diameter.

The following applies: Bearings, whose radial clearance lies in the upper half of the tolerance range prior to mounting, are mounted with the higher value of the radial clearance reduction or axial displacement, bearings in the lower half of the tolerance range with the lower value of the radial clearance reduction or axial displacement.

## Mounting sequence for SNV housings with the two-lip seal DH (fig. 10)

1. Clean and check support surface.
2. Lock housing base into position.
3. Mount bearing on shaft and fill its cavities with some of the grease quantity according to table 5.
4. Fill space between the sealing lips with grease. Place each of the sealing halves in the grooves of the housing base.
5. Insert shaft with bearing in housing base. Insert both locating rings for locating bearing. The floating bearing should be positioned in the housing centre. In the case of housings closed at one end insert only one seal and, at the opposite side, the cover DKV into the housing grooves.
6. Align housing base and tighten fastening bolts in housing foot with recommended tightening torque, table 13.
7. Distribute equally the remaining bearing grease (point 3) between housing top and base.
8. Insert greased seal halves into the grooves of housing top.
9. Mount housing top and tighten fastening bolts with recommended tightening torque, table 13.

## 10: Mounting of SNV housings with two-lip seals DH

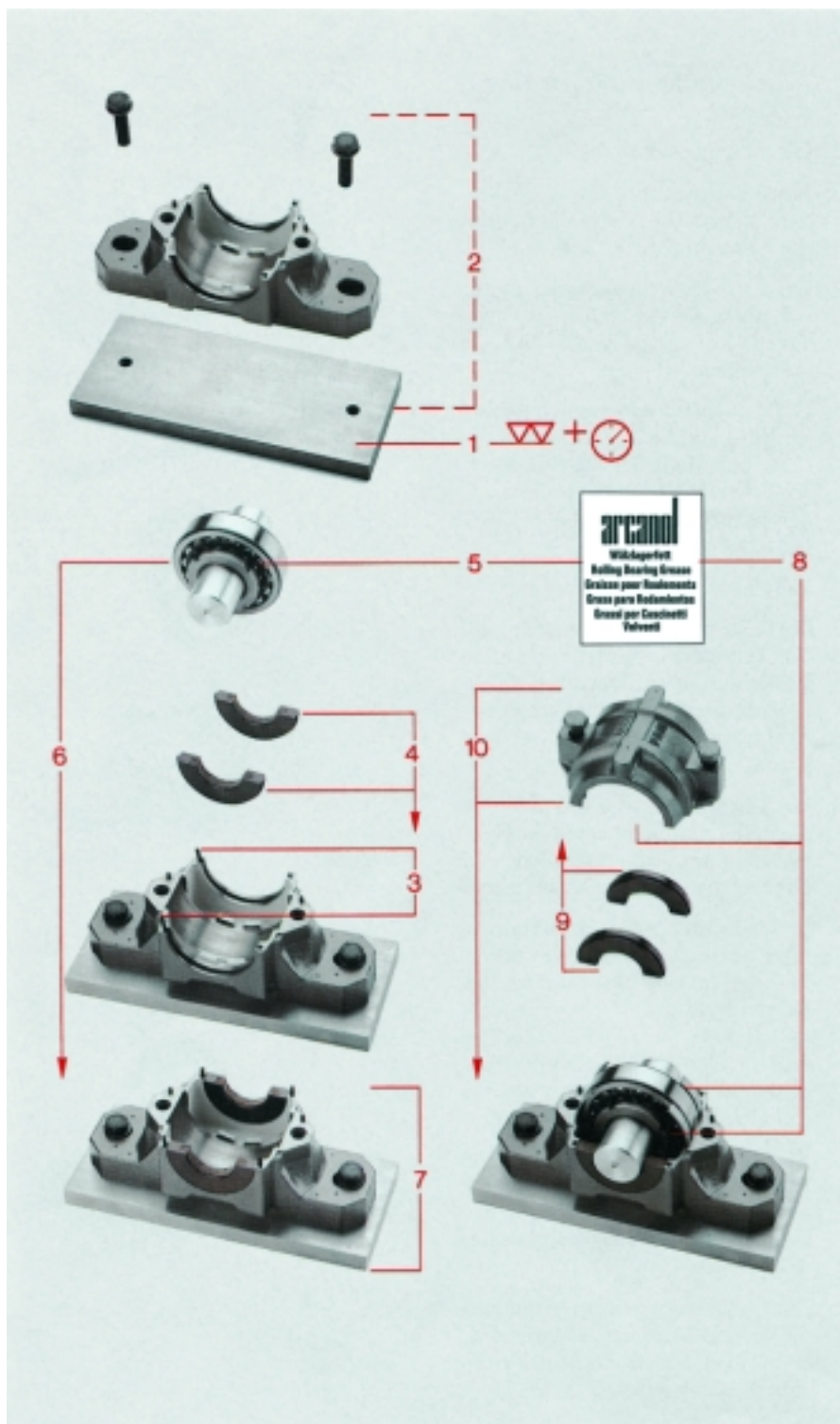


# Mounting

## Mounting sequence for SNV housings with the felt seal FSV (fig. 11)

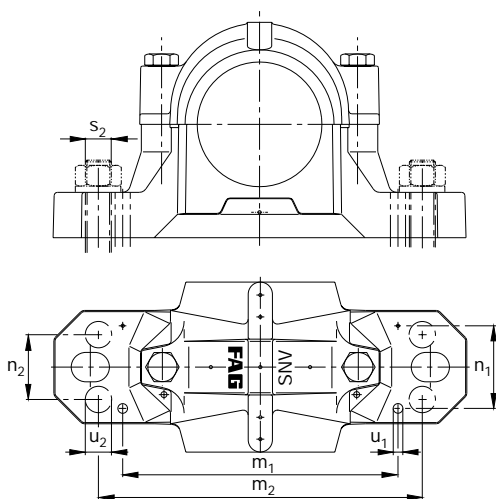
1. Clean and check support surface.
2. Lock housing base into position.
3. Insert O rings into the grooves of housing base.
4. Place each half of the adapter with oil-soaked felt strip on the O ring in the grooves of housing base.
5. Mount bearing on shaft and fill its cavities with some of the grease quantity according to table 5.
6. Insert shaft with mounted bearing in housing base. Insert both locating rings for locating bearing. The floating bearing should be positioned in the housing centre. In the case of housings closed at one end insert only one adapter with felt strip and, at the opposite side, the cover DKV into the housing grooves.
7. Align housing base and tighten fastening bolts in housing foot with the recommended tightening torque, table 13.
8. Distribute equally the remaining bearing grease (point 5) between the housing top and base.
9. Insert O ring and adapter with oil-soaked felt strip into the grooves of housing top.
10. Mount housing top and tighten fastening bolts with the recommended tightening torque, table 13.

## 11: Mounting of SNV housings with felt seals FSV





# Additional holes for fastening bolts and pins · Loadability



## Additional holes for fastening bolts and pins

SNV housings are normally fastened with two bolts. The housing base has two slots which allow the housings to be aligned during mounting (dimensions  $m$ ,  $u$ ,  $v$  from page 18 on).

Four bolts are required for fastening on T section supports. Spots (dimensions  $m_2$  and  $n_2$ ) are marked where additional holes (diameter  $u_2$ ) can be drilled for fastening bolts ( $s_2$ ). FAG supply upon request housings from size SNV080 on with these four additional holes for fastening bolts. The order should then be, for example: FAG plummer block housing SNV080.G944DA.

Holes (diameter  $u_1$ ) can be drilled at the marked spots (dimensions  $m_1$ ,  $n_1$ ) for pins to secure the bearing positions.

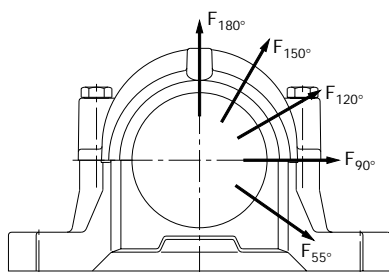
Housing Code	Dimensions for pins			Dimensions for bolts				inch
	$m_1$	$n_1$	$u_1$	$m_2$	$n_2$	$u_2$	$s_2$	
FAG	mm			mm				
SNV052	95	32	4	115	25			
SNV062	115	36	4	130	25			
SNV072	115	37	4	135	25			
SNV080	135	43	4	160	34	11	M10	3/8
SNV085	135	40	4	160	34	11	M10	3/8
SNV090	135	44	6	160	34	11	M10	3/8
SNV100	170	51	6	200	40	14	M12	1/2
SNV110	170	52	6	200	40	14	M12	1/2
SNV120	190	58	6	220	48	14	M12	1/2
SNV125	190	52	4	220	48	14	M12	1/2
SNV130	190	60	8	220	48	14	M12	1/2
SNV140	210	65	8	252	52	18	M16	5/8
SNV150	210	66	8	252	52	18	M16	5/8
SNV160	240	72	8	280	58	18	M16	5/8
SNV170	240	74	8	280	58	18	M16	5/8
SNV180	261	80	8	300	66	18	M16	5/8
SNV190	271	81	8	300	66	18	M16	5/8
SNV200	291	88	8	320	74	18	M16	5/8
SNV215	297	91	8	330	74	18	M16	5/8
SNV230	325	97	10	370	80	22	M20	3/4
SNV240	328	96	10	370	80	22	M20	3/4
SNV250	342	109	12	400	92	26	M24	7/8
SNV260	372	113	12	430	100	26	M24	7/8
SNV270	372	116	12	430	100	26	M24	7/8
SNV280	392	114	12	450	100	26	M24	7/8
SNV290	392	120	12	450	100	26	M24	7/8
SNV300	442	123	12	500	100	26	M24	7/8
SNV320	482	130	12	540	100	26	M24	7/8
SNV340	489	138	14	570	100	33	M30	1 1/4

## Loadability

The breaking loads of the SNV housings based on the load direction are indicated in table 13, page 15.

These values apply if the support surfaces of the mating parts are finished with a flatness tolerance of IT8 according to DIN ISO 1101 (related to distance  $a$ ). An overall and rigid support of the housing base is a precondition for the accommodation of the loads. The common safety factors which apply in general in mechanical engineering must be taken into consideration when determining the values for the permissible load (see page 16).

## 13: Standard values for the breaking load of SNV housings and the maximum loadability of connecting bolts



For compensation of the housing breaking load value a safety factor of 6 is recommended.

Housing Code	Housing breaking load in load direction					Connecting bolts					Holding-down bolts*)	
	55°	90°	120°	150°	180°	Designation according to DIN 931	Maximum loadability of both bolts with contact of joint surfaces in load direction			Tightening torque**) Mat. 8.8	Designation according to DIN 931	Tightening torque**) Mat. 8.8
FAG	kN					Material 8.8	120°	150°	180°	N m	Mat. 8.8	N m
SNV052	160	95	70	60	80	M10x40	60	35	30	50	M12	85
SNV062	170	100	80	65	85	M10x50	60	35	30	50	M12	85
SNV072	190	110	85	80	95	M10x50	60	35	30	50	M12	85
SNV080	210	130	95	85	105	M10x50	60	35	30	50	M12	85
SNV085	225	140	100	90	120	M10x50	60	35	30	50	M12	85
SNV090	265	160	120	105	130	M10x50	60	35	30	50	M12	85
SNV100	280	170	125	120	140	M12x60	80	45	40	85	M16	210
SNV110	300	180	130	125	150	M12x60	80	45	40	85	M16	210
SNV120	335	200	150	130	170	M12x70	80	45	40	85	M16	210
SNV125	335	200	150	130	170	M12x70	80	45	40	85	M16	210
SNV130	400	250	180	150	200	M12x70	80	45	40	85	M16	210
SNV140	425	265	190	170	210	M12x70	80	45	40	85	M20	410
SNV150	475	280	200	180	235	M12x80	80	45	40	85	M20	410
SNV160	530	335	250	210	265	M16x90	180	100	90	210	M20	410
SNV170	560	355	265	225	280	M16x90	180	100	90	210	M20	410
SNV180	630	375	280	250	300	M20x110	260	150	130	410	M24	710
SNV190	630	375	280	250	300	M20x110	260	150	130	410	M24	710
SNV200	670	400	315	280	335	M20x110	260	150	130	410	M24	710
SNV215	800	450	355	315	400	M20x110	260	150	130	410	M24	710
SNV230	900	530	400	355	450	M24x130	360	210	180	710	M24	710
SNV240	1000	600	450	400	500	M24x130	360	210	180	710	M24	710
SNV250	1060	630	475	425	530	M24x130	360	210	180	710	M30	1450
SNV260	1180	710	530	475	600	M24x130	360	210	180	710	M30	1450
SNV270	1180	710	530	475	600	M24x130	360	210	180	710	M30	1450
SNV280	1320	750	600	530	630	M24x140	360	210	180	710	M30	1450
SNV290	1400	850	630	560	710	M24x140	360	210	180	710	M30	1450
SNV300	1500	900	670	600	750	M24x140	360	210	180	710	M30	1450
SNV320	1700	1000	750	670	850	M24x150	360	210	180	710	M30	1450
SNV340	1900	1120	850	750	950	M30x160	640	370	320	1450	M36	2600

\*) Holding-down bolts are not supplied by FAG.

\*\*) The tightening torques are maximum values at a 90% utilization of the yield strength of the bolt material and a coefficient of friction of 0.14. We recommend tightening the bolts to 70% of these values.

The safety factors are:

- 6 for the breaking load of the housing
- 3 for the maximum loadability of connecting bolts and holding-down bolts.

The maximum axial housing load is assumed to be two thirds of the breaking load value  $F_{180^\circ}$ . In this case the permissible axial loadability of the bearings used and the axial holding force of bearings on sleeves without positive contact must be considered (see FAG TI No. WL 80-14). For load directions between  $55^\circ$  and  $120^\circ$  or for axial load the housing must be secured at the foot with stops in the load direction if the force acting parallel to the clamping surface exceeds  $0.05 \cdot F_{180^\circ}$ .

The maximum permissible load on eyebolts in the housing top is the weight of the housing together with the bearing.

## Codes

The housing code is made up of the designation of the housing series SNV and the bearing outside diameter in mm, e.g. SNV100.

Bearings and adapter sleeves, locating rings, seals and covers must be ordered separately (see following examples of how to order). The accessories required for the housing based on the bearing provided are indicated in the dimension tables.

## Examples of how to order

### EXAMPLE 1

Plummer block housing, closed on one side, self-aligning ball bearing 2210K.TV.C3 as a locating bearing, adapter sleeve, two-lip seal.

Order:  
1 plummer block housing FAG SNV090  
1 self-aligning ball bearing FAG 2210K.TV.C3  
1 adapter sleeve FAG H310  
2 locating rings FAG FRM90/9  
1 cover FAG DKV090  
1 two-lip seal FAG DH510

### EXAMPLE 2

Plummer block housing for through shaft, spherical roller bearing 22212EK as a floating bearing, adapter sleeve, two-lip seals.

Order:  
1 plummer block housing FAG SNV110  
1 spherical roller bearing FAG 22212EK  
1 adapter sleeve FAG H312  
2 two-lip seals FAG DH512

### EXAMPLE 3

Plummer block housing for through shaft, split spherical roller bearing 222SM70T as a locating bearing, two-lip seal.

Order:  
1 plummer block housing FAG SNV140  
1 split spherical roller bearing FAG 222SM70T  
2 locating rings FAG FRM140/12,5  
2 two-lip seals FAG DH516

### EXAMPLE 4

Plummer block housing with labyrinth seal, one end closed, spherical roller bearing 22216EK as a floating bearing, adapter sleeve.

Order:  
1 plummer block housing FAG SNV140  
1 spherical roller bearing FAG 22216EK  
1 adapter sleeve FAG H316  
1 labyrinth ring FAG TSV516  
1 cover FAG DKV140

### EXAMPLE 5

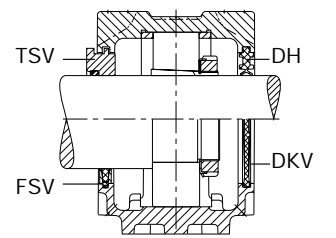
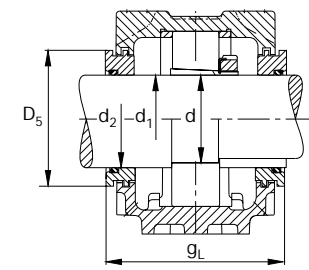
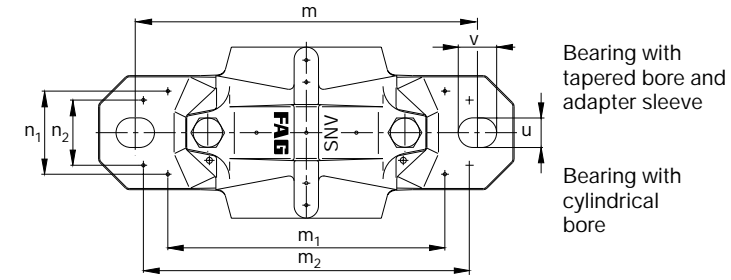
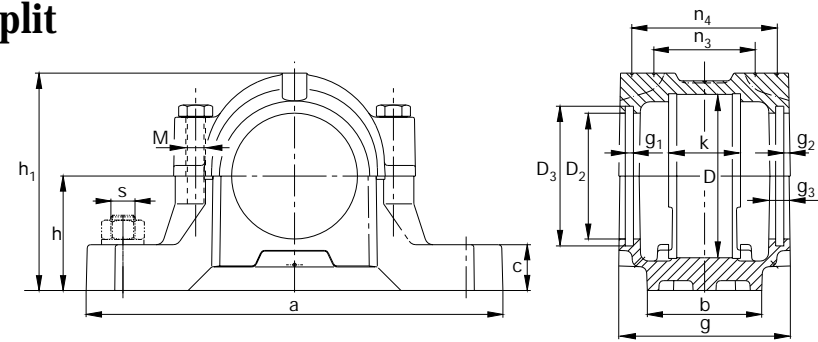
Plummer block housing, one end closed, spherical roller bearing 23218ES.TVPB as a floating bearing, felt seal.

Order:  
1 plummer block housing FAG SNV160  
1 spherical roller bearing FAG 23218ES.TVPB  
1 shaft nut FAG KM18  
1 lock washer FAG MB18A  
1 cover FAG DKV160  
1 felt seal FAG FSV218



# FAG Plummer Block Housings, split

for bearings with cylindrical bore and  
for bearings with tapered bore and adapter sleeve



## SNV052

Dimensions		b	c	g	h	m	s	u	v	h <sub>1</sub>	D <sub>2</sub>	D <sub>3</sub>	D <sub>5</sub>	g <sub>1</sub>	g <sub>2</sub>	g <sub>3</sub>	g <sub>L</sub>	k	m <sub>1</sub>	n <sub>1</sub>	m <sub>2</sub>	n <sub>2</sub>	n <sub>3</sub>	n <sub>4</sub>	M DIN 931	M <sub>1</sub> DIN 580	Mass ≈ kg
D	a						mm inch	mm	mm	mm	mm	mm	mm	mm	mm	mm	mm	mm	mm	mm	mm	mm	mm	mm			
52	165	46	19	70	40	130	M12 1/2	15	20	75	36.5	44.5	42.7	5	3	10.5	83 <sup>1)</sup>	27	95	32	115	25	38	56	M10	-	1.3

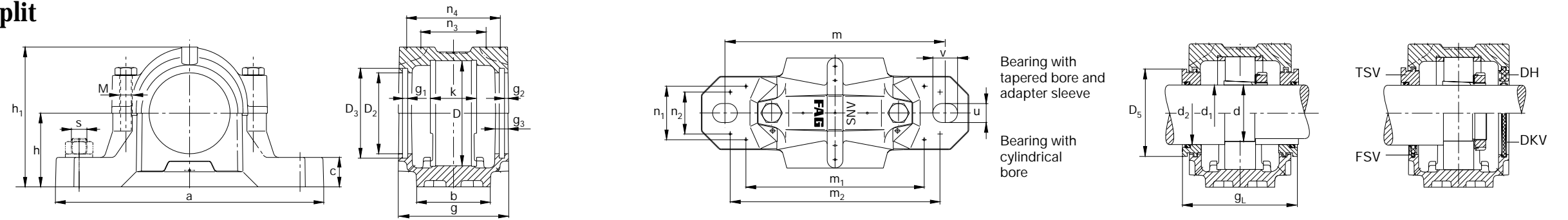
Shaft d <sub>1</sub> d	d <sub>2</sub>	Bearings which fit the housing		Split spherical roller bearing	Required accessories											
		Unsplit bearings	Codes according to DIN*		FAG	Adapter sleeve	Locknut	Lock washer	Locating ring 2 pieces	Two-lip seal	Labyrinth ring with O ring FAG	Felt seal	Cover			
mm	inch	mm		FAG	FAG	FAG	FAG	FAG	FAG	FAG	FAG	FAG	FAG	FAG	FAG	FAG
<b>19.05</b>	3/4		1205K 20205K		H205.012 H305.012				FRM52/6 FRM52/4,5	DH505.012 DH505.012	TSV505.012 TSV505.012	FSV505.012 FSV505.012	DKV052 DKV052			
<b>20</b>		25 25	6304 1304 20304 21304	2205K 22205K	H205 H305			FRM52/6 FRM52/4,5 FRM52/6 FRM52/3	DH505 DH505 DH304 DH304	TSV505 TSV505 TSV304 TSV304	FSV505 FSV505 FSV304 FSV304	DKV052 DKV052 DKV052 DKV052				
<b>20.638</b>	13/16		1205K 20205K		H205.013 H305.013			FRM52/6 FRM52/4,5	DH505 DH505	TSV505.013 TSV505.013	FSV505 FSV505	DKV052 DKV052				
<b>25</b>		30 30	6205 1205 20205	2205 22205				FRM52/6 FRM52/4,5	DH205 DH205	TSV205 TSV205		DKV052 DKV052				

\* The order designation in the code according to DIN can be taken from the catalogue WL 41520EA "FAG Rolling Bearings"

<sup>1)</sup> 95 mm at TSV205 and TSV304

# FAG Plummer Block Housings, split

for bearings with cylindrical bore and  
for bearings with tapered bore and adapter sleeve



## SNV062

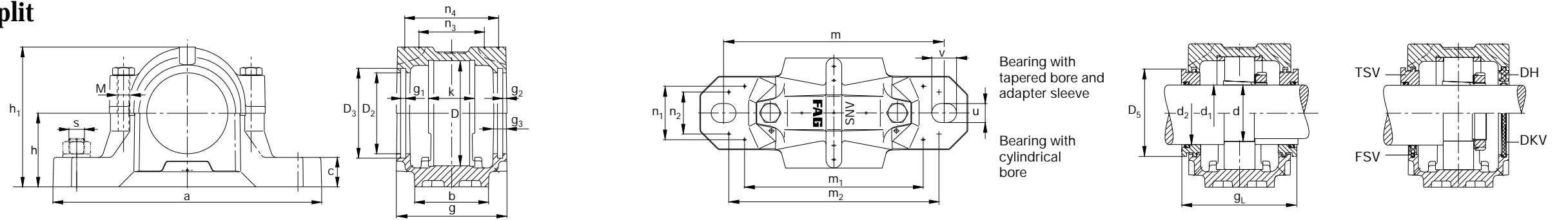
Dimensions		b	c	g	h	m	s	u	v	h <sub>1</sub>	D <sub>2</sub>	D <sub>3</sub>	D <sub>5</sub>	g <sub>1</sub>	g <sub>2</sub>	g <sub>3</sub>	g <sub>L</sub>	k	m <sub>1</sub>	n <sub>1</sub>	m <sub>2</sub>	n <sub>2</sub>	n <sub>3</sub>	n <sub>4</sub>	M DIN 931	M <sub>1</sub> DIN 580	Mass ≈ kg	
D	a						mm inch	mm	mm																			
62	185	52	22	75	50	150	M12 1/2	15	20	91	41.5	49.5	47.7	5	3	10.5	88 <sup>1)</sup>	30	115	36	130	25	42	61	M10	-	1.9	
<b>Shaft</b> d <sub>1</sub> d		d <sub>2</sub>		<b>Bearings which fit the housing</b> Unsplit bearings				Split spherical roller bearing		<b>Required accessories</b>																		
mm	inch	mm		Codes according to DIN*				FAG		FAG		FAG		FAG		FAG		FAG		FAG		FAG		FAG		FAG		
<b>19.05</b>	3/4			1305K	20305K			2305K					H305.012 H2305.012						FRM62/6,5 FRM62/3		DH605.012 DH605.012	TSV605.012 TSV605.012	FSV605.012 FSV605.012	DKV062 DKV062				
<b>20</b>				1305K	20305K			2305K					H305 H2305						FRM62/6,5 FRM62/3		DH605 DH605	TSV605 TSV605	FSV605 FSV605	DKV062 DKV062				
<b>22.225</b>	7/8			1206K	20206K			2206K	22206K				H206.014 H306.014						FRM62/7 FRM62/5		DH506.014 DH506.014	TSV506.014 TSV506.014	FSV506.014 FSV506.014	DKV062 DKV062				
<b>23.813</b>	15/16			1206K	20206K			2206K	22206K				H206.015 H306.015						FRM62/7 FRM62/5		DH506.014 DH506.014	TSV506.015 TSV506.015	FSV506.015 FSV506.015	DKV062 DKV062				
<b>25</b>				1206K	20206K			2206K	22206K				H206 H306						FRM62/7 FRM62/5 FRM62/6,5 FRM62/3		DH506 DH506 DH305 DH305	TSV506 TSV506 TSV305 TSV305	FSV506 FSV506 FSV305 FSV305	DKV062 DKV062 DKV062 DKV062				
<b>25.4</b>	<b>1</b>			1206K	20206K			2206K	22206K				H206.100 H306.100						FRM62/7 FRM62/5		DH506 DH506	TSV506.100 TSV506.100	FSV506 FSV506	DKV062 DKV062				
<b>30</b>		35 35	6206	1206	20206			2206	22206										FRM62/7 FRM62/5		DH206 DH206	TSV206 TSV206					DKV062 DKV062	

\* The order designation in the code according to DIN can be taken from the catalogue WL 41520EA "FAG Rolling Bearings"

<sup>1)</sup> 100 mm at TSV206 and TSV305

# FAG Plummer Block Housings, split

for bearings with cylindrical bore and  
for bearings with tapered bore and adapter sleeve



## SNV072

Dimensions		b	c	g	h	m	s	u	v	h <sub>1</sub>	D <sub>2</sub>	D <sub>3</sub>	D <sub>5</sub>	g <sub>1</sub>	g <sub>2</sub>	g <sub>3</sub>	g <sub>L</sub>	k	m <sub>1</sub>	n <sub>1</sub>	m <sub>2</sub>	n <sub>2</sub>	n <sub>3</sub>	n <sub>4</sub>	M DIN 931	M <sub>1</sub> DIN 580	Mass ≈ kg
D	a						mm inch	mm	mm																		
72	185	52	22	80	50	150	M12 1/2	15	20	97	51.5	59.5	57.7	5	3	10.5	93 <sup>1)</sup>	33	115	37	135	25	46	66	M10	-	2
Shaft d <sub>1</sub> d		d <sub>2</sub>	Bearings which fit the housing Unsplit bearings				Split spherical roller bearing		Required accessories		Two-lip seal		Labyrinth ring with O ring FAG		Felt seal		Cover										
mm	inch	mm	Codes according to DIN*				FAG		Adapter sleeve	Locknut	Lock washer	Locating ring 2 pieces				FAG		FAG									
22.225	7/8		1306K	20306K			2306K		H306.014 H2306.014			FRM72/7 FRM72/3	DH606.014 DH606.014	TSV606.014 TSV606.014	FSV606.014 FSV606.014	DKV072 DKV072											
23.813	15/16		1306K	20306K			2306K		H306.015 H2306.015			FRM72/7 FRM72/3	DH606.014 DH606.014	TSV606.015 TSV606.015	FSV606.015 FSV606.015	DKV072 DKV072											
25			1306K	20306K			2306K		H306 H2306			FRM72/7 FRM72/3	DH606 DH606	TSV606 TSV606	FSV606 FSV606	DKV072 DKV072											
25.4	1		1306K	20306K			2306K		H306.100 H2306.100			FRM72/7 FRM72/3	DH606 DH606	TSV606.100 TSV606.100	FSV606 FSV606	DKV072 DKV072											
28.575	1 1/8		1207K	20207K			2207K 22207K		H207.102 H2307.102			FRM72/8 FRM72/5	DH507.102 DH507.102	TSV507.102 TSV507.102	FSV507.102 FSV507.102	DKV072 DKV072											
30			1207K	20207K			2207K 22207K		H207 H307			FRM72/8 FRM72/5 FRM72/7 FRM72/3	DH507 DH507 DH306 DH306	TSV507 TSV507 TSV306 TSV306	FSV507 FSV507 FSV306 FSV306	DKV072 DKV072 DKV072 DKV072											
30.163	1 3/16		1207K	20207K			2207K 22207K		H207.103 H307.103			FRM72/8 FRM72/5	DH507 DH507	TSV507 TSV507	FSV507 FSV507	DKV072 DKV072											
35		45 45	6207	1207	20207		2207 22207					FRM72/8 FRM72/5	DH207 DH207	TSV207 TSV207		DKV072 DKV072											

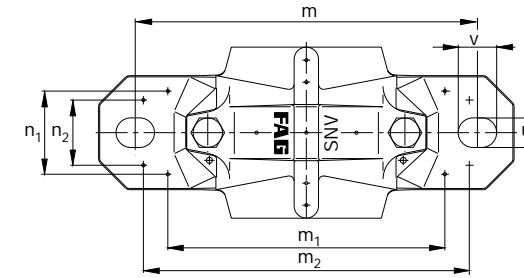
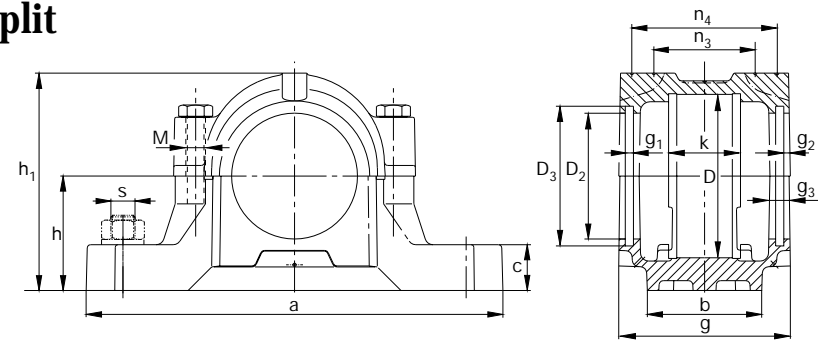
\* The order designation in the code according to DIN can be taken from the catalogue WL 41520EA "FAG Rolling Bearings"

<sup>1)</sup> 105 mm at TSV207

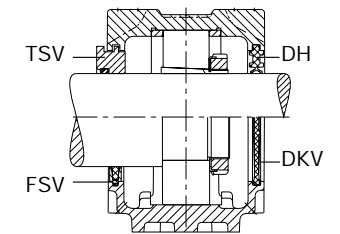
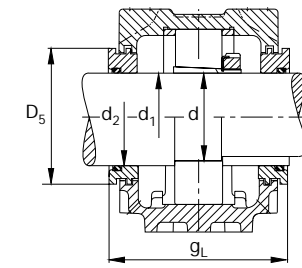


# FAG Plummer Block Housings, split

for bearings with cylindrical bore and  
for bearings with tapered bore and adapter sleeve



Bearing with tapered bore and adapter sleeve  
Bearing with cylindrical bore



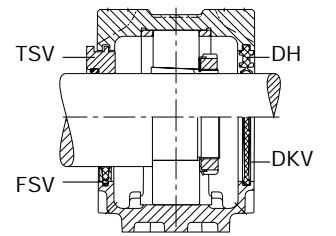
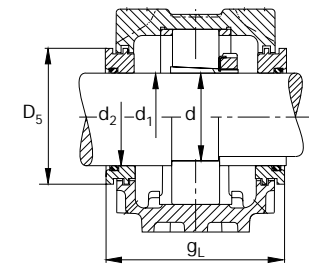
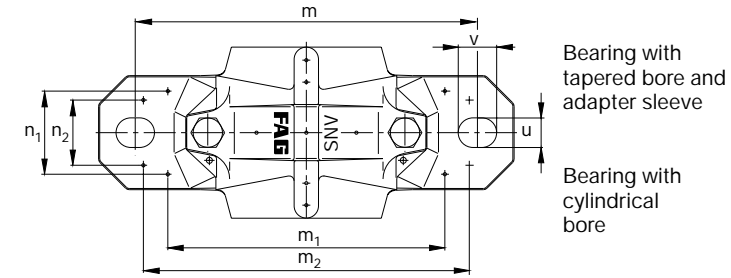
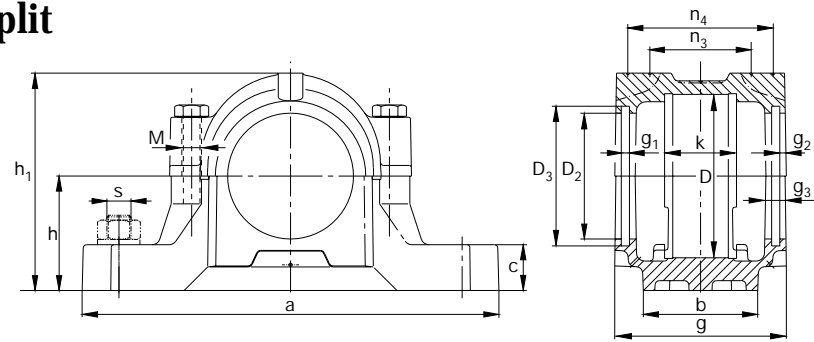
## SNV085

Dimensions		b	c	g	h	m	s	u	v	h <sub>1</sub>	D <sub>2</sub>	D <sub>3</sub>	D <sub>5</sub>	g <sub>1</sub>	g <sub>2</sub>	g <sub>3</sub>	g <sub>L</sub>	k	m <sub>1</sub>	n <sub>1</sub>	m <sub>2</sub>	n <sub>2</sub>	n <sub>3</sub>	n <sub>4</sub>	M DIN 931	M <sub>1</sub> DIN 580	Mass ≈ kg		
D	a						mm inch	mm																					
85	205	60	25	87	60	170	M12 1/2	15	20	114	67	75.5	73.7	5	4	12.5	101	31	135	40	160	34	47	71	M10	-	2.8		
Shaft d <sub>1</sub> d		d <sub>2</sub>	Bearings which fit the housing Unsplit bearings				Split spherical roller bearing		Required accessories		Adapter sleeve	Locknut	Lock washer	Locating ring 2 pieces	Two-lip seal	Labyrinth ring with O ring FAG	Felt seal	Cover											
mm	inch	mm	Codes according to DIN*				FAG		FAG	FAG	FAG	FAG	FAG	FAG	FAG	FAG	FAG	FAG	FAG	FAG	FAG	FAG	FAG	FAG	FAG	FAG	FAG	FAG	FAG
36.513	1 <sup>7</sup> / <sub>16</sub>		1209K	20209K			2209K	22209K	H209.107 H309.107				FRM85/6 FRM85/4	DH509.107 DH509.107	TSV509.107 TSV509.107	FSV509.107 FSV509.107	DKV085 DKV085												
38.1	1 <sup>1</sup> / <sub>2</sub>		1209K	20209K			2209K	22209K	H209.108 H309.108				FRM85/6 FRM85/4	DH509.107 DH509.107	TSV509.108 TSV509.108	FSV509.108 FSV509.108	DKV085 DKV085												
40			1209K	20209K			2209K	22209K	H209 H309				FRM85/6 FRM85/4	DH509 DH509	TSV509 TSV509	FSV509 FSV509	DKV085 DKV085												
45		55 55	6209	1209	20209		2209	22209						KM9 KM9	MB9A MB9A	FRM85/6 FRM85/4	DH209 DH209	TSV209 TSV209	FSV209 FSV209	DKV085 DKV085									

\* The order designation in the code according to DIN can be taken from the catalogue WL 41520EA "FAG Rolling Bearings"

# FAG Plummer Block Housings, split

for bearings with cylindrical bore and  
for bearings with tapered bore and adapter sleeve



## SNV090

Dimensions																								Mass								
D	a	b	c	g	h	m	s	u	v	h <sub>1</sub>	D <sub>2</sub>	D <sub>3</sub>					D <sub>5</sub>	g <sub>1</sub>	g <sub>2</sub>	g <sub>3</sub>	g <sub>L</sub>	k	m <sub>1</sub>	n <sub>1</sub>	m <sub>2</sub>	n <sub>2</sub>	n <sub>3</sub>	n <sub>4</sub>	M DIN 931	M <sub>1</sub> DIN 580	≈ kg	
mm							mm	inch	mm																							
90	205	60	25	100	60	170	M12	1/2	15	20	117	72	80.5					78.2	5	4	12.5	114	41	135	44	160	34	58	84	M10	-	3.1

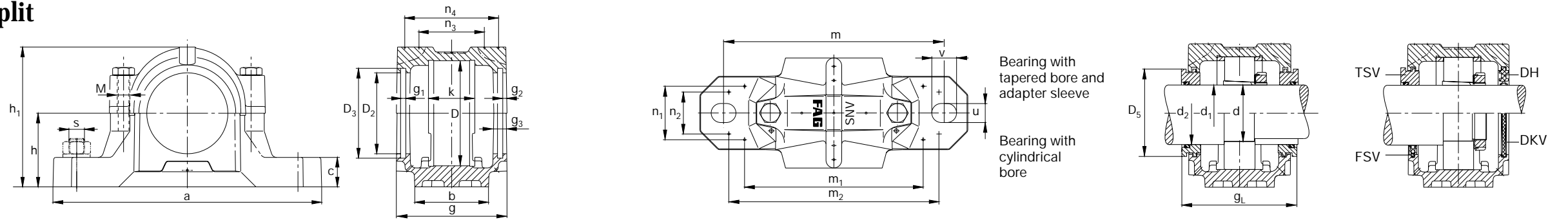
Shaft d <sub>1</sub> d	d <sub>2</sub>	Bearings which fit the housing Unsplit bearings						Split spherical roller bearing FAG	Required accessories							Cover FAG															
		Codes according to DIN*							Adapter sleeve FAG	Locknut FAG	Lock washer FAG	Locating ring 2 pieces FAG	Two-lip seal FAG	Labyrinth ring with O ring FAG	Felt seal FAG																
mm	inch	mm																													
31.75	1 1/4			1308K	20308K	21308K	2308K	22208K	H308.104 H2308.104				FRM90/9 FRM90/4	DH608.104 DH608.104	TSV608.104 TSV608.104	FSV608.104 FSV608.104	DKV090 DKV090														
33.338	1 5/16			1308K	20308K	21308K	2308K	22308K	H308.105 H2308.105				FRM90/9 FRM90/4	DH608.104 DH608.104	TSV608.105 TSV608.105	FSV608.105 FSV608.105	DKV090 DKV090														
34.925	1 3/8			1308K	20308K	21308K	2308K	22308K	H308.106 H2308.106				FRM90/9 FRM90/4	DH608 DH608	TSV608 TSV608	FSV608 FSV608	DKV090 DKV090														
35				1308K	20308K	21308K	2308K	22308K	H308 H2308				FRM90/9 FRM90/4	DH608 DH608	TSV608 TSV608	FSV608 FSV608	DKV090 DKV090														
40		50 50	6308	1308	20308	21308	2308	22308		KM8 KM8	MB8A MB8A		FRM90/9 FRM90/4	DH308 DH308	TSV308 TSV308	FSV308 FSV308	DKV090 DKV090														
41.275	1 5/8			1210K	20210K		2210K	22210K	H210.110 H310.110				FRM90/10,5 FRM90/9	DH510.110 DH510.110	TSV510.110 TSV510.110	FSV510.110 FSV510.110	DKV090 DKV090														
42.863	1 11/16			1210K	20210K		2210K	22210K	H210.111 H310.111				FRM90/10,5 FRM90/9	DH510.110 DH510.110	TSV510.111 TSV510.111	FSV510.111 FSV510.111	DKV090 DKV090														
44.45	1 3/4			1210K	20210K		2210K	22210K	H210.112 H310.112				FRM90/10,5 FRM90/9	DH510 DH510	TSV510.112 TSV510.112	FSV510 FSV510	DKV090 DKV090														
45				1210K	20210K		2210K	22210K	H210 H310				FRM90/10,5 FRM90/9	DH510 DH510	TSV510 TSV510	FSV510 FSV510	DKV090 DKV090														
50		60 60	6210	1210	20210		2210	22210		KM10 KM10	MB10A MB10A		FRM90/10,5 FRM90/9	DH210 DH210	TSV210 TSV210	FSV210 FSV210	DKV090 DKV090														

\* The order designation in the code according to DIN can be taken from the catalogue WL 41520EA "FAG Rolling Bearings"



# FAG Plummer Block Housings, split

for bearings with cylindrical bore and  
for bearings with tapered bore and adapter sleeve



## SNV110

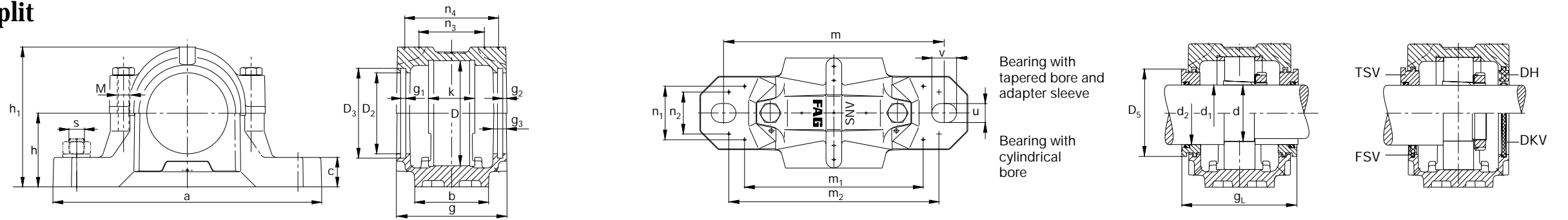
Dimensions																						Mass						
D	a	b	c	g	h	m	s	u	v	h <sub>1</sub>	D <sub>2</sub>	D <sub>3</sub>	D <sub>5</sub>	g <sub>1</sub>	g <sub>2</sub>	g <sub>3</sub>	g <sub>L</sub>	k	m <sub>1</sub>	n <sub>1</sub>	m <sub>2</sub>	n <sub>2</sub>	n <sub>3</sub>	n <sub>4</sub>	M DIN 931	M <sub>1</sub> DIN 580	≈ kg	
mm							mm	inch	mm																			
110	255	70	30	110	70	210	M16	5/8	18	23	139	82	90.5	88.2	5	4	12.5	124	48	170	52	200	40	67	94	M12	-	4.9

Shaft d <sub>1</sub> d	d <sub>2</sub>	Bearings which fit the housing Unsplit bearings						Split spherical roller bearing FAG	Required accessories												
		Codes according to DIN*							Adapter sleeve	Locknut	Lock washer	Locating ring 2 pieces	Two-lip seal	Labyrinth ring with O ring FAG	Felt seal	Cover					
mm	inch	mm						FAG	FAG	FAG	FAG	FAG	FAG	FAG	FAG	FAG	FAG				
41.275	1 <sup>5</sup> / <sub>8</sub>		1310K	20310K	21310K	2310K	22310K		H310.110 H2310.110				FRM110/10,5 FRM110/4	DH610.110 DH610.110	TSV610.110 TSV610.110	FSV610.110 FSV610.110	DKV110 DKV110				
42.863	1 <sup>11</sup> / <sub>16</sub>		1310K	20310K	21310K	2310K	22310K		H310.111 H2310.111				FRM110/10,5 FRM110/4	DH610.110 DH610.110	TSV610.111 TSV610.111	FSV610.111 FSV610.111	DKV110 DKV110				
44.45	1 <sup>3</sup> / <sub>4</sub>		1310K	20310K	21310K	2310K	22310K		H310.112 H2310.112				FRM110/10,5 FRM110/4	DH610 DH610	TSV610.112 TSV610.112	FSV610 FSV610	DKV110 DKV110				
45			1310K	20310K	21310K	2310K	22310K		H310 H2310				FRM110/10,5 FRM110/4	DH610 DH610	TSV610 TSV610	FSV610 FSV610	DKV110 DKV110				
50		60 60	6310	1310	20310	21310	2310	22310						KM10 KM10	MB10A MB10A	FRM110/10,5 FRM110/4	DH310 DH310	TSV310 TSV310	FSV310 FSV310	DKV110 DKV110	
53.975	2 <sup>1</sup> / <sub>8</sub>			1212K	20212K		2212K	22212K					H212.202 H312.202			FRM110/13 FRM110/10	DH512 DH512	TSV512.202 TSV512.202	FSV512.202 FSV512.202	DKV110 DKV110	
55				1212K	20212K		2212K	22212K				222SM55T	H212 H312			FRM110/13 FRM110/10 FRM110/10	DH512 DH512 DH512	TSV512 TSV512 TSV512	FSV512 FSV512 FSV512	DKV110 DKV110 DKV110	
60		70 70	6212	1212	20212		2212	22212							KM12 KM12	MB12A MB12A	FRM110/13 FRM110/10	DH212 DH212	TSV212 TSV212	FSV212 FSV212	DKV110 DKV110

\* The order designation in the code according to DIN can be taken from the catalogue WL 41520EA "FAG Rolling Bearings"

# FAG Plummer Block Housings, split

for bearings with cylindrical bore and  
for bearings with tapered bore and adapter sleeve



## SNV120

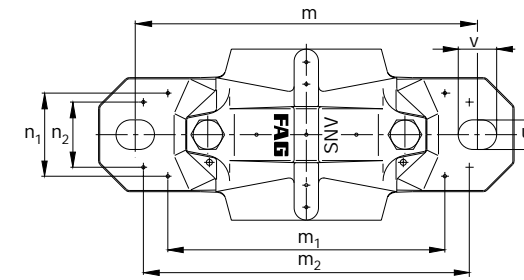
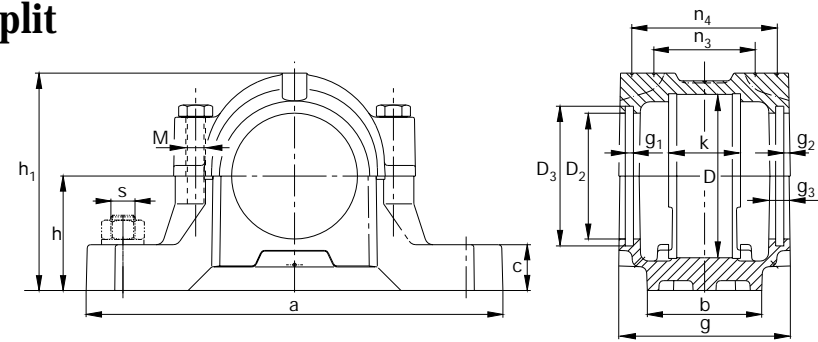
Dimensions																						Mass						
D	a	b	c	g	h	m	s	u	v	h <sub>1</sub>	D <sub>2</sub>	D <sub>3</sub>	D <sub>5</sub>	g <sub>1</sub>	g <sub>2</sub>	g <sub>3</sub>	g <sub>L</sub>	k	m <sub>1</sub>	n <sub>1</sub>	m <sub>2</sub>	n <sub>2</sub>	n <sub>3</sub>	n <sub>4</sub>	M DIN 931	M <sub>1</sub> DIN 580	≈ kg	
mm							mm	inch	mm																			
120	275	80	30	115	80	230	M16	5/8	18	23	155	87	95.5	93.2	5	4	12.5	129	51	190	58	220	48	71	99	M12	-	6.1

Shaft d <sub>1</sub> d	d <sub>2</sub>	Bearings which fit the housing Unsplit bearings						Split spherical roller bearing FAG	Required accessories																		
		Codes according to DIN*							Adapter sleeve FAG	Locknut FAG	Lock washer FAG	Locating ring 2 pieces FAG	Two-lip seal FAG	Labyrinth ring with O ring FAG	Felt seal FAG	Cover FAG											
mm	inch	mm																									
47.625	1 7/8		1311K	20311K	21311K		2311K	22311K	H311.114 H2311.114				FRM120/11 FRM120/4	DH611.114 DH611.114	TSV611.114 TSV611.114	FSV611.114 FSV611.114	DKV120 DKV120										
49.213	1 15/16		1311K	20311K	21311K		2311K	22311K	H311.115 H2311.115				FRM120/11 FRM120/4	DH611 DH611	TSV611.115 TSV611.115	FSV611.115 FSV611.115	DKV120 DKV120										
50			1311K	20311K	21311K		2311K	22311K	H311 H2311				FRM120/11 FRM120/4	DH611 DH611	TSV611 TSV611	FSV611 FSV611	DKV120 DKV120										
50.8	2		1311K	20311K	21311K		2311K	22311K	H311.200 H2311.200				FRM120/11 FRM120/4	DH611 DH611	TSV611.200 TSV611.200	FSV611 FSV611	DKV120 DKV120										
55		65 65	6311	1311	20311	21311	2311	22311						KM11 KM11	MB11A MB11A	FRM120/11 FRM120/4	DH311 DH311	TSV311 TSV311	FSV311 FSV311	DKV120 DKV120							
55.563	2 3/16		1213K	20213K		2213K	22213K		H213.203 H313.203		222S.203		FRM120/14 FRM120/10 FRM120/10	DH513.203 DH513.203 DH513.203	TSV513.203 TSV513.203 TSV513.203	FSV513.203 FSV513.203 FSV513.203	DKV120 DKV120 DKV120										
57.15	2 1/4		1213K	20213K		2213K	22213K		H213.204 H313.204		222S.204		FRM120/14 FRM120/10 FRM120/10	DH513.203 DH513.203 DH513.203	TSV513.204 TSV513.204 TSV513.204	FSV513.204 FSV513.204 FSV513.204	DKV120 DKV120 DKV120										
60			1213K	20213K		2213K	22213K		H213 H313				FRM120/14 FRM120/10	DH513 DH513	TSV513 TSV513	FSV513 FSV513	DKV120 DKV120										
60.325	2 3/8		1213K	20213K		2213K	22213K		H213.206 H313.206				FRM120/14 FRM120/10	DH513 DH513	TSV513 TSV513	FSV513 FSV513	DKV120 DKV120										
65		75 75	6213	1213	20213		2213	22213						KM13 KM13	MB13A MB13A	FRM120/14 FRM120/10	DH213 DH213	TSV213 TSV213	FSV213 FSV213	DKV120 DKV120							

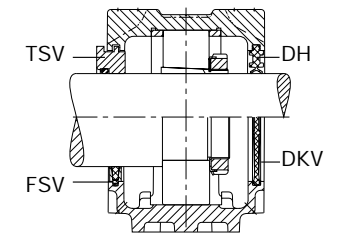
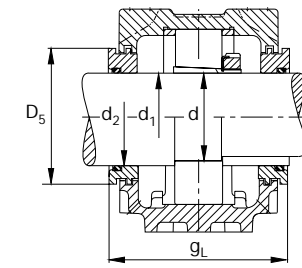
\* The order designation in the code according to DIN can be taken from the catalogue WL 41520EA "FAG Rolling Bearings"

# FAG Plummer Block Housings, split

for bearings with cylindrical bore and  
for bearings with tapered bore and adapter sleeve



Bearing with tapered bore and adapter sleeve  
Bearing with cylindrical bore



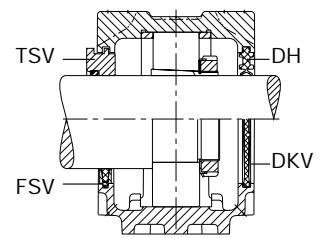
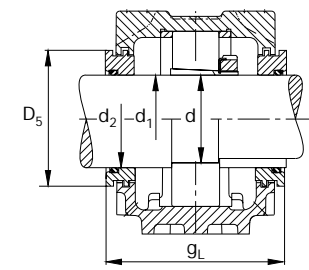
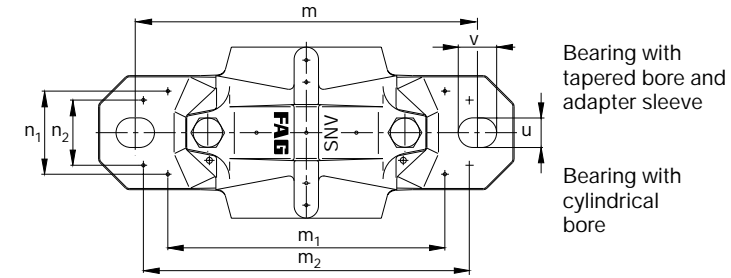
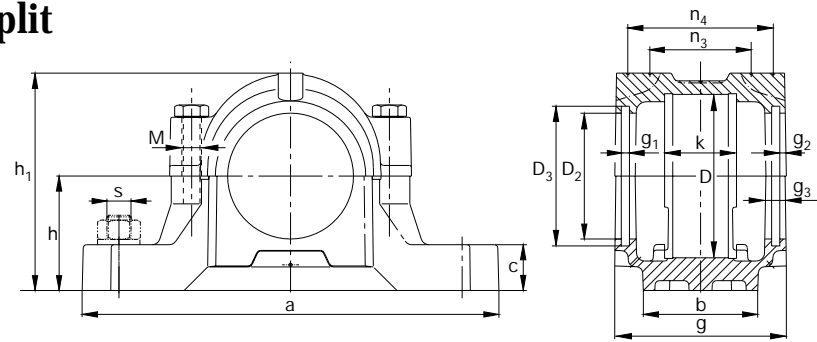
## SNV125

Dimensions																						Mass						
D	a	b	c	g	h	m	s	u	v	h <sub>1</sub>	D <sub>2</sub>	D <sub>3</sub>	D <sub>5</sub>	g <sub>1</sub>	g <sub>2</sub>	g <sub>3</sub>	g <sub>L</sub>	k	m <sub>1</sub>	n <sub>1</sub>	m <sub>2</sub>	n <sub>2</sub>	n <sub>3</sub>	n <sub>4</sub>	M DIN 931	M <sub>1</sub> DIN 580	≈ kg	
mm							mm inch	mm																				
125	275	80	30	105	80	230	M16 5/8	18	23	158	112	120.5	118.2	5	5.25	15	120.3	39	190	52	220	48	57	86	M12	-	6.5	
Shaft d <sub>1</sub> d			d <sub>2</sub>	Bearings which fit the housing Unsplit bearings				Split spherical roller bearing		Required accessories																		
mm	inch	mm	Codes according to DIN*				FAG		Adapter sleeve	Locknut	Lock washer	Locating ring 2 pieces	Two-lip seal	Labyrinth ring with O ring FAG	Felt seal	Cover												
70		80 80	6214	1214	20214																							

\* The order designation in the code according to DIN can be taken from the catalogue WL 41520EA "FAG Rolling Bearings"

# FAG Plummer Block Housings, split

for bearings with cylindrical bore and  
for bearings with tapered bore and adapter sleeve



## SNV130

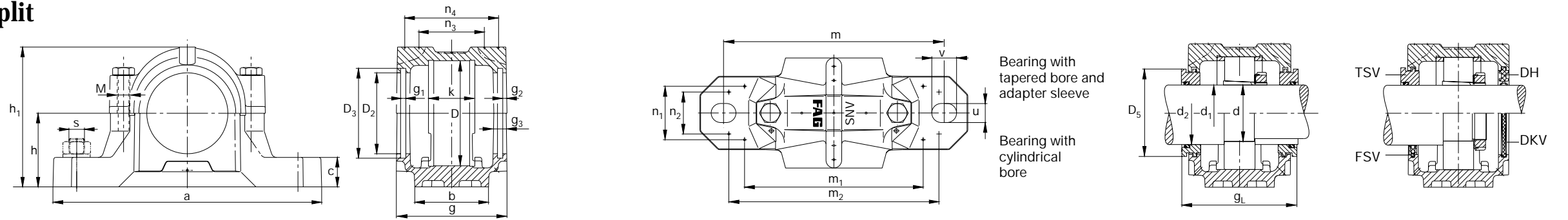
Dimensions		b	c	g	h	m	s	u	v	h <sub>1</sub>	D <sub>2</sub>	D <sub>3</sub>	D <sub>5</sub>	g <sub>1</sub>	g <sub>2</sub>	g <sub>3</sub>	g <sub>L</sub>	k	m <sub>1</sub>	n <sub>1</sub>	m <sub>2</sub>	n <sub>2</sub>	n <sub>3</sub>	n <sub>4</sub>	M DIN 931	M <sub>1</sub> DIN 580	Mass ≈ kg
D	a						mm inch	mm																			
130	280	80	30	120	80	230	M16 5/8	18	23	161	102.5	111	108.7	5	4	12.5	134	56	190	60	220	48	76	104	M12	-	6.8

Shaft d <sub>1</sub> d	d <sub>2</sub>	Bearings which fit the housing Unsplit bearings						Split spherical roller bearing FAG	Required accessories																		
		Codes according to DIN*							Adapter sleeve FAG	Locknut FAG	Lock washer FAG	Locating ring 2 pieces FAG	Two-lip seal FAG	Labyrinth ring with O ring FAG	Felt seal FAG	Cover FAG											
mm inch	mm																										
<b>53.975</b> 2 <sup>1</sup> / <sub>8</sub>							1312K 20312K 21312K	2312K 22312K					H312.202 H2312.202						FRM130/12,5 FRM130/5	DH612 DH612	TSV612.202 TSV612.202	FSV612.202 FSV612.202					
<b>55</b>							1312K 20312K 21312K	2312K 22312K					H312 H2312						FRM130/12,5 FRM130/5	DH612 DH612	TSV612 TSV612	FSV612 FSV612					
<b>60</b>		70 70	6312	1312	20312	21312		2312 22312							KM12 KM12	MB12A MB12A			FRM130/12,5 FRM130/5	DH312 DH312	TSV312 TSV312	FSV312 FSV312					
<b>61.913</b> 2 <sup>7</sup> / <sub>16</sub>							1215K 20215K	2215K 22215K					H215.207 H315.207						FRM130/15,5 FRM130/12,5 FRM130/12,5	DH515.207 DH515.207 DH515.207	TSV515.207 TSV515.207 TSV515.207	FSV515.207 FSV515.207 FSV515.207					
<b>63.5</b> 2 <sup>1</sup> / <sub>2</sub>							1215K 20215K	2215K 22215K					H215.208 H315.208						FRM130/15,5 FRM130/12,5 FRM130/12,5	DH515.207 DH515.207 DH515.207	TSV515.208 TSV515.208 TSV515.208	FSV515.208 FSV515.208 FSV515.208					
<b>65</b>							1215K 20215K	2215K 22215K					H215 H315						FRM130/15,5 FRM130/12,5 FRM130/12,5	DH515 DH515 DH515	TSV515 TSV515 TSV515	FSV515 FSV515 FSV515					
<b>66.675</b> 2 <sup>5</sup> / <sub>8</sub>							1215K 20215K	2215K 22215K					H215.210 H315.210						FRM130/15,5 FRM130/12,5	DH515 DH515	TSV515.210 TSV515.210	FSV515.210 FSV515.210					
<b>75</b>		85 85	6215	1215	20215			2215 22215							KM15 KM15	MB15A MB15A			FRM130/15,5 FRM130/12,5	DH215 DH215	TSV215 TSV215	FSV215 FSV215					

\* The order designation in the code according to DIN can be taken from the catalogue WL 41520EA "FAG Rolling Bearings"

# FAG Plummer Block Housings, split

for bearings with cylindrical bore and  
for bearings with tapered bore and adapter sleeve



## SNV140

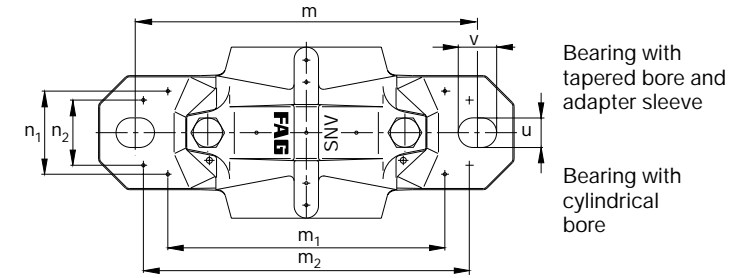
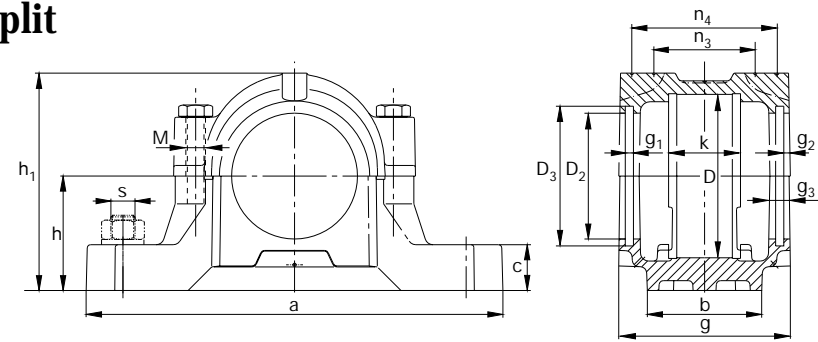
Dimensions		b	c	g	h	m	s	u	v	h <sub>1</sub>	D <sub>2</sub>	D <sub>3</sub>	D <sub>5</sub>	g <sub>1</sub>	g <sub>2</sub>	g <sub>3</sub>	g <sub>L</sub>	k	m <sub>1</sub>	n <sub>1</sub>	m <sub>2</sub>	n <sub>2</sub>	n <sub>3</sub>	n <sub>4</sub>	M DIN 931	M <sub>1</sub> DIN 580	Mass ≈ kg
D	a						mm inch	mm	mm	mm	mm	mm	mm	mm	mm	mm	mm	mm	mm	mm	mm	mm	mm	mm			
140	315	90	32	135	95	260	M20 3/4	22	27	183	108	116.5	114.2	5	5.25	15	150.3	58	210	65	252	52	81	117	M12	-	9.3

Shaft d <sub>1</sub> d	d <sub>2</sub>	Bearings which fit the housing Unsplit bearings						Split spherical roller bearing FAG	Required accessories																		
		Codes according to DIN*							Adapter sleeve FAG	Locknut FAG	Lock washer FAG	Locating ring 2 pieces FAG	Two-lip seal FAG	Labyrinth ring with O ring FAG	Felt seal FAG	Cover FAG											
mm inch	mm																										
55.563 2 <sup>3</sup> / <sub>16</sub>							1313K 20313K 21313K	2313K 22313K					H313.203 H2313.203				FRM140/12,5 FRM140/5	DH613.203 DH613.203	TSV613.203 TSV613.203	FSV613.203 FSV613.203	DKV140 DKV140						
57.15 2 <sup>1</sup> / <sub>4</sub>							1313K 20313K 21313K	2313K 22313K					H313.204 H2313.204				FRM140/12,5 FRM140/5	DH613.203 DH613.203	TSV613.204 TSV613.204	FSV613.204 FSV613.204	DKV140 DKV140						
60							1313K 20313K 21313K	2313K 22313K					H313 H2313				FRM140/12,5 FRM140/5	DH613 DH613	TSV613 TSV613	FSV613 FSV613	DKV140 DKV140						
60.325 2 <sup>3</sup> / <sub>8</sub>							1313K 20313K 21313K	2313K 22313K					H313.206 H2313.206				FRM140/12,5 FRM140/5	DH613 DH613	TSV613 TSV613	FSV613 FSV613	DKV140 DKV140						
65		75 75	6313	1313	20313	21313		2313 22313						KM13 KM13	MB13A MB13A		FRM140/12,5 FRM140/5	DH313 DH313	TSV313 TSV313	FSV313 FSV313	DKV140 DKV140						
68.263 2 <sup>11</sup> / <sub>16</sub>							1216K 20216K	2216K 22216K				222S.211		H216.211 H316.211			FRM140/16 FRM140/12,5 FRM140/12,5	DH516.211 DH516.211 DH516.211	TSV516.211 TSV516.211 TSV516.211	FSV516.211 FSV516.211 FSV516.211	DKV140 DKV140 DKV140						
69.85 2 <sup>3</sup> / <sub>4</sub>							1216K 20216K	2216K 22216K						H216.212 H316.212			FRM140/16 FRM140/12,5	DH516 DH516	TSV516 TSV516	FSV516 FSV516	DKV140 DKV140						
70							1216K 20216K	2216K 22216K						H216 H316			FRM140/16 FRM140/12,5 FRM140/12,5	DH516 DH516 DH516	TSV516 TSV516 TSV516	FSV516 FSV516 FSV516	DKV140 DKV140 DKV140						
73.025 2 <sup>7</sup> / <sub>8</sub>							1216K 20216K	2216K 22216K						H216.214 H316.214			FRM140/16 FRM140/12,5	DH516.214 DH516.214	TSV516.214 TSV516.214	FSV516.214 FSV516.214	DKV140 DKV140						
80		90 90	6216	1216	20216			2216 22216						KM16 KM16	MB16A MB16A		FRM140/16 FRM140/12,5	DH216 DH216	TSV216 TSV216	FSV216 FSV216	DKV140 DKV140						

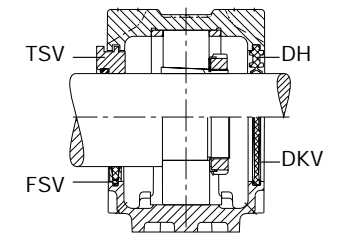
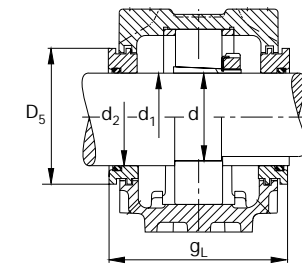
\* The order designation in the code according to DIN can be taken from the catalogue WL 41520EA "FAG Rolling Bearings"

# FAG Plummer Block Housings, split

for bearings with cylindrical bore and  
for bearings with tapered bore and adapter sleeve



Bearing with tapered bore and adapter sleeve  
Bearing with cylindrical bore



## SNV150

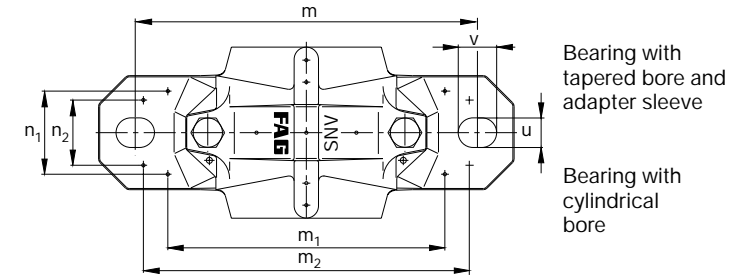
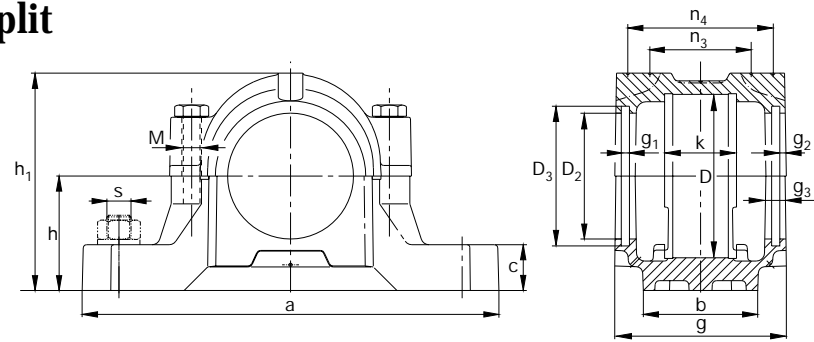
Dimensions		b	c	g	h	m	s	u	v	h <sub>1</sub>	D <sub>2</sub>	D <sub>3</sub>	D <sub>5</sub>	g <sub>1</sub>	g <sub>2</sub>	g <sub>3</sub>	g <sub>L</sub>	k	m <sub>1</sub>	n <sub>1</sub>	m <sub>2</sub>	n <sub>2</sub>	n <sub>3</sub>	n <sub>4</sub>	M DIN 931	M <sub>1</sub> DIN 580	Mass ≈ kg
D	a						mm inch	mm																			
150	320	90	32	140	95	260	M20 3/4	22	27	189	112	120.5	118.2	5	5.25	15	155.3	61	210	66	252	52	85	122	M12	-	9.9

Shaft d <sub>1</sub> d	d <sub>2</sub>	Bearings which fit the housing Unsplit bearings						Split spherical roller bearing FAG	Required accessories																			
		Codes according to DIN*							Adapter sleeve FAG	Locknut FAG	Lock washer FAG	Locating ring 2 pieces FAG	Two-lip seal FAG	Labyrinth ring with O ring FAG	Felt seal FAG	Cover FAG												
70	80 80	6314	1314	20314	21314	2314	22314																					
74.613	2 <sup>15</sup> / <sub>16</sub>			1217K	20217K		2217K	22217K				222S.215	H217.215 H317.215															
75				1217K	20217K		2217K	22217K				222SM75T	H217 H317															
76.2	3			1217K	20217K		2217K	22217K				222S.300	H217.300 H317.300															
85		95 95	6217	1217	20217		2217	22217																				

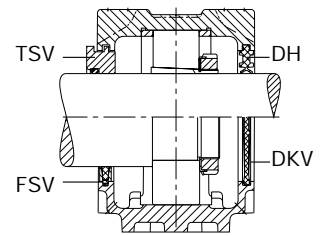
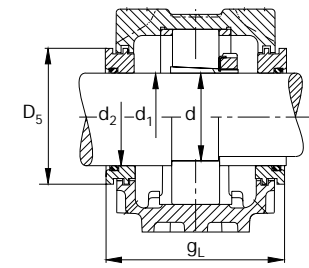
\* The order designation in the code according to DIN can be taken from the catalogue WL 41520EA "FAG Rolling Bearings"

# FAG Plummer Block Housings, split

for bearings with cylindrical bore and  
for bearings with tapered bore and adapter sleeve



Bearing with tapered bore and adapter sleeve  
Bearing with cylindrical bore



## SNV160

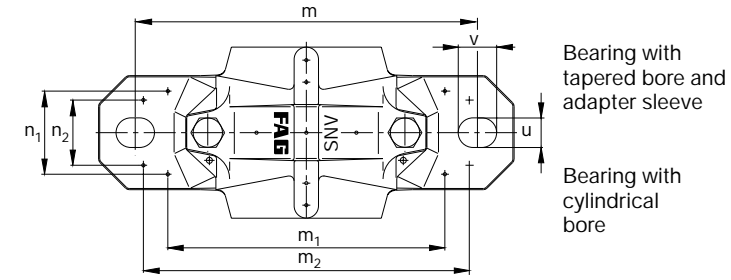
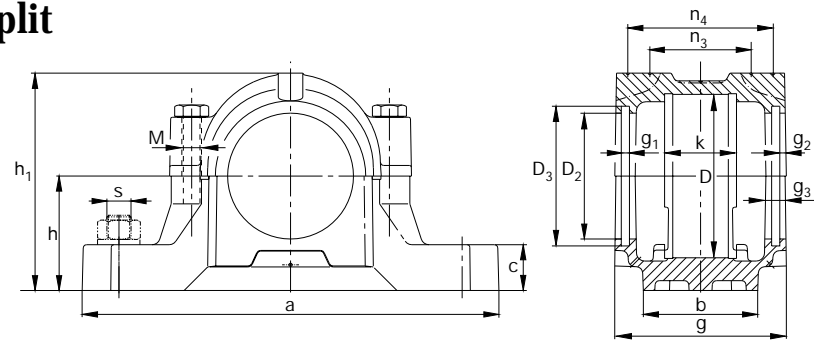
Dimensions																						Mass						
D	a	b	c	g	h	m	s	u	v	h <sub>1</sub>	D <sub>2</sub>	D <sub>3</sub>	D <sub>5</sub>	g <sub>1</sub>	g <sub>2</sub>	g <sub>3</sub>	g <sub>L</sub>	k	m <sub>1</sub>	n <sub>1</sub>	m <sub>2</sub>	n <sub>2</sub>	n <sub>3</sub>	n <sub>4</sub>	M DIN 931	M <sub>1</sub> DIN 580	≈ kg	
mm							mm inch	mm																				
160	345	100	35	145	100	290	M20 3/4	22	27	201	120	128.5	125.7	5	5.25	15	160.3	65	240	72	280	58	90	127	M16	-	12.8	

Shaft d <sub>1</sub> d	d <sub>2</sub>	Bearings which fit the housing Unsplit bearings						Split spherical roller bearing FAG	Required accessories																		
		Codes according to DIN*							Adapter sleeve FAG	Locknut FAG	Lock washer FAG	Locating ring 2 pieces FAG	Two-lip seal FAG	Labyrinth ring with O ring FAG	Felt seal FAG	Cover FAG											
mm	inch	mm																									
<b>61.913</b>	2 <sup>7</sup> / <sub>16</sub>						1315K 20315K 21315K	2315K 22315K	H315.207 H2315.207				FRM160/14 FRM160/5	DH615.207	TSV615.207 TSV615.207	FSV615.207	DKV160 DKV160										
<b>63.5</b>	2 <sup>1</sup> / <sub>2</sub>						1315K 20315K 21315K	2315K 22315K	H315.208 H2315.208				FRM160/14 FRM160/5	DH615.207	TSV615.208 TSV615.208	FSV615.208	DKV160 DKV160										
<b>65</b>							1315K 20315K 21315K	2315K 22315K	H315 H2315				FRM160/14 FRM160/5	DH615	TSV615	FSV615	DKV160 DKV160										
<b>66.675</b>	2 <sup>5</sup> / <sub>8</sub>						1315K 20315K 21315K	2315K 22315K	H315.210 H2315.210				FRM160/14 FRM160/5	DH615	TSV615.210 TSV615.210	FSV615.210	DKV160 DKV160										
<b>75</b>		85 85	6315	1315	20315	21315		2315 22315						KM15 KM15	MB15A MB15A	FRM160/14 FRM160/5	DH315 DH315	TSV315 TSV315	FSV315 FSV315	DKV160 DKV160							
<b>79.375</b>	3 <sup>1</sup> / <sub>8</sub>						1218K 20218K	2218K 22218K	H218.302 H318.302 H2318.302			23218K				FRM160/17,5 FRM160/12,5 FRM160/6,3	DH518 DH518 DH518	TSV518.302 TSV518.302 TSV518.302	FSV518 FSV518 FSV518	DKV160 DKV160 DKV160							
<b>80</b>							1218K 20218K	2218K 22218K	H218 H318			23218K	222SM80T			FRM160/17,5 FRM160/12,5 FRM160/12,5 FRM160/6,3	DH518 DH518 DH518 DH518	TSV518 TSV518 TSV518 TSV518	FSV518 FSV518 FSV518 FSV518	DKV160 DKV160 DKV160 DKV160							
<b>80.963</b>	3 <sup>3</sup> / <sub>16</sub>						1218K 20218K	2218K 22218K	H218.303 H318.303			23218K	222S.303			FRM160/17,5 FRM160/12,5 FRM160/12,5 FRM160/6,3	DH518 DH518 DH518 DH518	TSV518.303 TSV518.303 TSV518.303 TSV518.303	FSV518.303 FSV518.303 FSV518.303 FSV518.303	DKV160 DKV160 DKV160 DKV160							
<b>82.55</b>	3 <sup>1</sup> / <sub>4</sub>						1218K 20218K	2218K 22218K	H218.304 H318.304			23218K	222S.304			FRM160/17,5 FRM160/12,5 FRM160/12,5 FRM160/6,3	DH518.304 DH518.304 DH518.304 DH518.304	TSV518.304 TSV518.304 TSV518.304 TSV518.304	FSV518.304 FSV518.304 FSV518.304 FSV518.304	DKV160 DKV160 DKV160 DKV160							
<b>90</b>		100 100 100	6218	1218	20218			2218 22218				23218			KM18 KM18 KM18	MB18A MB18A MB18A	FRM160/17,5 FRM160/12,5 FRM160/6,3	DH218 DH218 DH218	TSV218 TSV218 TSV218	FSV218 FSV218 FSV218	DKV160 DKV160 DKV160						

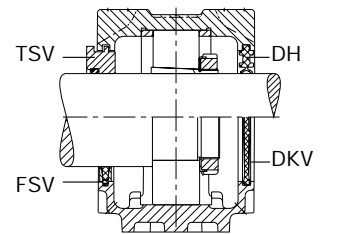
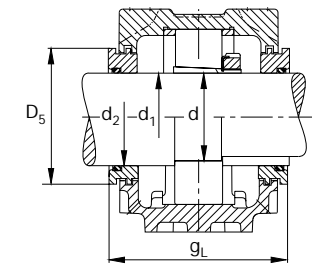
\* The order designation in the code according to DIN can be taken from the catalogue WL 41520EA "FAG Rolling Bearings"

# FAG Plummer Block Housings, split

for bearings with cylindrical bore and  
for bearings with tapered bore and adapter sleeve



Bearing with tapered bore and adapter sleeve  
Bearing with cylindrical bore



## SNV170

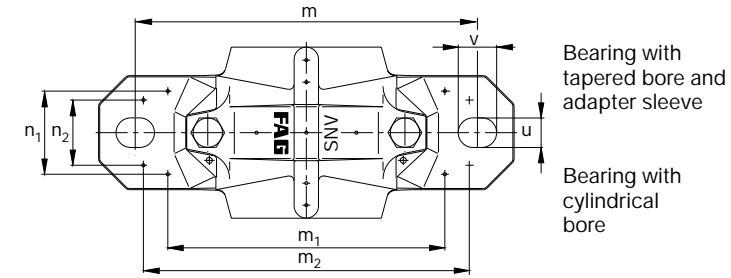
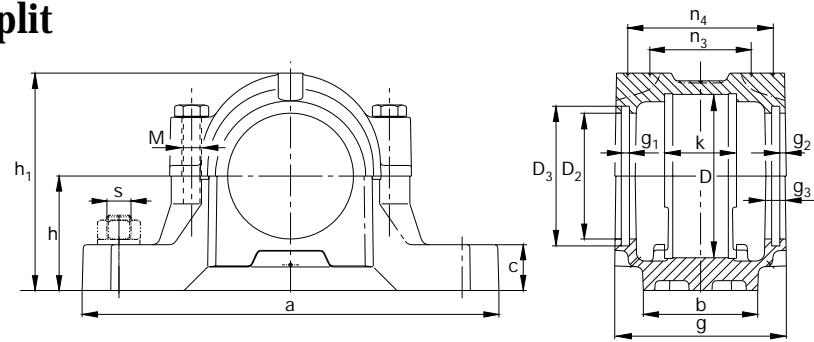
Dimensions																								Mass				
D	a	b	c	g	h	m	s	u	v	h <sub>1</sub>	D <sub>2</sub>	D <sub>3</sub>	D <sub>5</sub>	g <sub>1</sub>	g <sub>2</sub>	g <sub>3</sub>	g <sub>L</sub>	k	m <sub>1</sub>	n <sub>1</sub>	m <sub>2</sub>	n <sub>2</sub>	n <sub>3</sub>	n <sub>4</sub>	M DIN 931	M <sub>1</sub> DIN 580	≈ kg	
mm							mm inch	mm																				
170	345	100	35	150	112	290	M20 3/4	22	27	219	131	141	138.2	6	5.25	16	167.3	68	240	74	280	58	93	132	M16	-	14.4	

Shaft d <sub>1</sub> d	d <sub>2</sub>	Bearings which fit the housing Unsplit bearings						Split spherical roller bearing FAG	Required accessories																		
		Codes according to DIN*							Adapter sleeve FAG	Locknut FAG	Lock washer FAG	Locating ring 2 pieces FAG	Two-lip seal FAG	Labyrinth ring with O ring FAG	Felt seal FAG	Cover FAG											
mm	inch	mm																									
68.263	2 <sup>11</sup> / <sub>16</sub>		1316K	20316K	21316K	2316K	22316K		H316.211 H2316.211				FRM170/14,5 FRM170/5	DH616.211 DH616.211	TSV616.211 TSV616.211	FSV616.211 FSV616.211	DKV170 DKV170										
69.85	2 <sup>3</sup> / <sub>4</sub>		1316K	20316K	21316K	2316K	22316K		H316.212 H2316.212				FRM170/14,5 FRM170/5	DH616 DH616	TSV616 TSV616	FSV616 FSV616	DKV170 DKV170										
70			1316K	20316K	21316K	2316K	22316K		H316 H2316				FRM170/14,5 FRM170/5	DH616 DH616	TSV616 TSV616	FSV616 FSV616	DKV170 DKV170										
73.025	2 <sup>7</sup> / <sub>8</sub>		1316K	20316K	21316K	2316K	22316K		H316.214 H2316.214				FRM170/14,5 FRM170/5	DH616.214 DH616.214	TSV616.214 TSV616.214	FSV616.214 FSV616.214	DKV170 DKV170										
80		90 90	6316	1316	20316	21316	2316	22316						KM16 KM16	MB16A MB16A	FRM170/14,5 FRM170/5	DH316 DH316	TSV316 TSV316	FSV316 FSV316	DKV170 DKV170							
85			1219K	20219K		2219K	22219K		H219 H319			222SM85T				FRM170/18 FRM170/12,5 FRM170/12,5	DH519 DH519 DH519	TSV519 TSV519 TSV519	FSV519 FSV519 FSV519	DKV170 DKV170 DKV170							
85.725	3 <sup>3</sup> / <sub>8</sub>		1219K	20219K		2219K	22219K		H219.306 H319.306							FRM170/18 FRM170/12,5	DH519 DH519	TSV519.306 TSV519.306	FSV519 FSV519	DKV170 DKV170							
95		110 110	6219	1219	20219	2219	22219							KM19 KM19	MB19A MB19A	FRM170/18 FRM170/12,5	DH219 DH219	TSV219 TSV219	FSV219 FSV219	DKV170 DKV170							

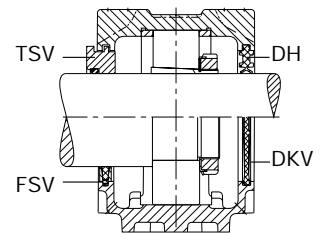
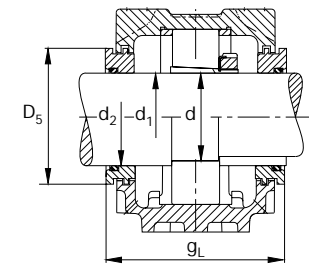
\* The order designation in the code according to DIN can be taken from the catalogue WL 41520EA "FAG Rolling Bearings"

# FAG Plummer Block Housings, split

for bearings with cylindrical bore and  
for bearings with tapered bore and adapter sleeve



Bearing with tapered bore and adapter sleeve  
Bearing with cylindrical bore



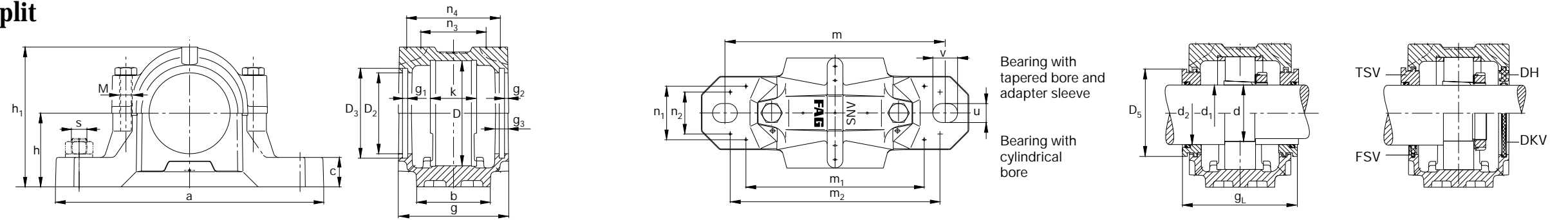
## SNV180

Dimensions		b	c	g	h	m	s	u	v	h <sub>1</sub>	D <sub>2</sub>	D <sub>3</sub>	D <sub>5</sub>	g <sub>1</sub>	g <sub>2</sub>	g <sub>3</sub>	g <sub>L</sub>	k	m <sub>1</sub>	n <sub>1</sub>	m <sub>2</sub>	n <sub>2</sub>	n <sub>3</sub>	n <sub>4</sub>	M DIN 931	M <sub>1</sub> DIN 580	Mass ≈ kg
D	a						mm inch	mm																			
180	380	110	40	160	112	320	M24 7/8	26	32	223	137.5	147.5	144.7	6	5.25	16	177.3	70	261	80	300	66	99	142	M20	-	17
<b>Shaft</b> d <sub>1</sub> d			d <sub>2</sub>	<b>Bearings which fit the housing</b> Unsplit bearings						<b>Split spherical roller bearing</b>		<b>Required accessories</b>															
mm inch			mm	Codes according to DIN*				FAG		FAG		FAG		FAG		FAG		FAG		FAG		FAG		FAG		FAG	
<b>74.613</b>	<b>2<sup>15</sup>/<sub>16</sub></b>			1317K	20317K	21317K		2317K	22317K				H317.215 H2317.215						FRM180/14,5 FRM180/5	80		DH617 DH617	TSV617 TSV617	FSV617 FSV617	DKV180 DKV180		
<b>75</b>				1317K	20317K	21317K		2317K	22317K				H317 H2317						FRM180/14,5 FRM180/5	80		DH617 DH617	TSV617 TSV617	FSV617 FSV617	DKV180 DKV180		
<b>76.2</b>	<b>3</b>			1317K	20317K	21317K		2317K	22317K				H317.300 H2317.300						FRM180/14,5 FRM180/5	80		DH617 DH617	TSV617.300 TSV617.300	FSV617.300 FSV617.300	DKV180 DKV180		
<b>85</b>			95 95	6317	1317	20317	21317	2317	22317											80		DH317 DH317	TSV317 TSV317	FSV317 FSV317	DKV180 DKV180		
<b>87.313</b>	<b>3<sup>7</sup>/<sub>16</sub></b>			1220K	20220K			2220K	22220K			23220K	H220.307 H320.307							80		DH520.307 DH520.307	TSV520.307 TSV520.307	FSV520.307 FSV520.307	DKV180 DKV180		
												222S.307	H2320.307							80		DH520.307 DH520.307	TSV520.307 TSV520.307	FSV520.307 FSV520.307	DKV180 DKV180		
<b>88.9</b>	<b>3<sup>1</sup>/<sub>2</sub></b>			1220K	20220K			2220K	22220K			23220K	H220.308 H320.308							80		DH520 DH520	TSV520.308 TSV520.308	FSV520.308 FSV520.308	DKV180 DKV180		
												222S.308	H2320.308							80		DH520 DH520	TSV520.308 TSV520.308	FSV520.308 FSV520.308	DKV180 DKV180		
<b>90</b>				1220K	20220K			2220K	22220K			23220K	H220 H320							80		DH520 DH520	TSV520 TSV520	FSV520 FSV520	DKV180 DKV180		
												222SM90T	H2320							80		DH520 DH520	TSV520 TSV520	FSV520 FSV520	DKV180 DKV180		
<b>92.075</b>	<b>3<sup>5</sup>/<sub>8</sub></b>			1220K	20220K			2220K	22220K			23220K	H220.310 H320.310 H2320.310							80		DH520.310 DH520.310	TSV520.310 TSV520.310	FSV520.310 FSV520.310	DKV180 DKV180		
													H2320.310							80		DH520.310 DH520.310	TSV520.310 TSV520.310	FSV520.310 FSV520.310	DKV180 DKV180		
<b>93.663</b>	<b>3<sup>11</sup>/<sub>16</sub></b>			1220K	20220K			2220K	22220K			23220K	H220.311 H320.311 H2320.311							80		DH520.310 DH520.310	TSV520.311 TSV520.311	FSV520.311 FSV520.311	DKV180 DKV180		
													H2320.311							80		DH520.310 DH520.310	TSV520.311 TSV520.311	FSV520.311 FSV520.311	DKV180 DKV180		
<b>100</b>			115 115 115	6220	1220	20220		2220	22220			23220								80		DH220 DH220	TSV220 TSV220	FSV220 FSV220	DKV180 DKV180		
																				80		DH220 DH220	TSV220 TSV220	FSV220 FSV220	DKV180 DKV180		

\* The order designation in the code according to DIN can be taken from the catalogue WL 41520EA "FAG Rolling Bearings"

# FAG Plummer Block Housings, split

for bearings with cylindrical bore and  
for bearings with tapered bore and adapter sleeve



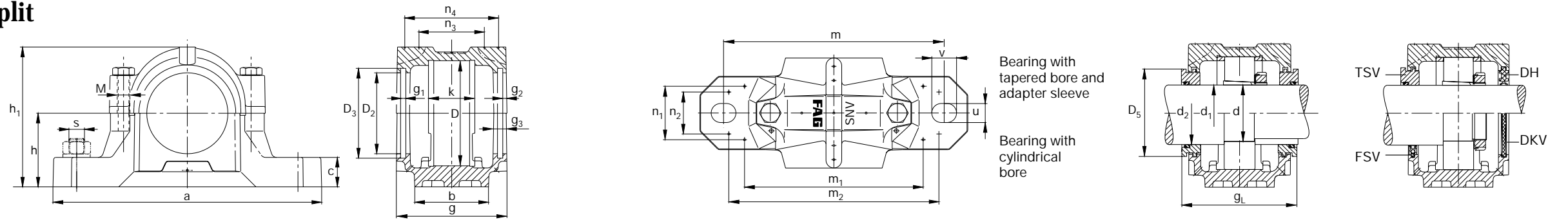
## SNV190

Dimensions		b	c	g	h	m	s	u	v	h <sub>1</sub>	D <sub>2</sub>	D <sub>3</sub>	D <sub>5</sub>	g <sub>1</sub>	g <sub>2</sub>	g <sub>3</sub>	g <sub>L</sub>	k	m <sub>1</sub>	n <sub>1</sub>	m <sub>2</sub>	n <sub>2</sub>	n <sub>3</sub>	n <sub>4</sub>	M DIN 931	M <sub>1</sub> DIN 580	Mass ≈ kg
D	a						mm inch	mm																			
190	380	110	40	155	112	320	M24 7/8	26	32	229	120	128.5	125.7	5	5.25	15	170.3	74	271	81	300	66	99	137	M20	-	22
Shaft d <sub>1</sub> d		d <sub>2</sub>	Bearings which fit the housing Unsplit bearings					Split spherical roller bearing		Required accessories																	
mm	inch	mm	Codes according to DIN*					FAG		Adapter sleeve	Locknut	Lock washer	Locating ring 2 pieces	Two-lip seal	Labyrinth ring with O ring FAG	Felt seal	Cover										
										FAG	FAG	FAG	FAG	FAG	FAG	FAG	FAG										
79.375	3 <sup>1</sup> / <sub>8</sub>		1318K	20318K	21318K	2318K	22318K			H318.302 H2318.302			FRM190/15,5 FRM190/5	DH518 DH518	TSV518.302 TSV518.302	FSV518 FSV518	DKV160 DKV160										
80			1318K	20318K	21318K	2318K	22318K			H318 H2318			FRM190/15,5 FRM190/5	DH518 DH518	TSV518 TSV518	FSV518 FSV518	DKV160 DKV160										
80.963	3 <sup>3</sup> / <sub>16</sub>		1318K	20318K	21318K	2318K	22318K			H318.303 H2318.303			FRM190/15,5 FRM190/5	DH518 DH518	TSV518.303 TSV518.303	FSV518.303 FSV518.303	DKV160 DKV160										
82.55	3 <sup>1</sup> / <sub>4</sub>		1318K	20318K	21318K	2318K	22318K			H318.304 H2318.304			FRM190/15,5 FRM190/5	DH518.304 DH518.304	TSV518.304 TSV518.304	FSV518.304 FSV518.304	DKV160 DKV160										
90		105 105	6318	1318	20318	21318	2318	22318						KM18 KM18	MB18A MB18A	FRM190/15,5 FRM190/5	DH318 DH318	TSV318 TSV318	FSV318 FSV318	DKV160 DKV160							

\* The order designation in the code according to DIN can be taken from the catalogue WL 41520EA "FAG Rolling Bearings"

# FAG Plummer Block Housings, split

for bearings with cylindrical bore and  
for bearings with tapered bore and adapter sleeve



## SNV200

Dimensions																								Mass				
D	a	b	c	g	h	m	s	u	v	h <sub>1</sub>	D <sub>2</sub>	D <sub>3</sub>	D <sub>5</sub>	g <sub>1</sub>	g <sub>2</sub>	g <sub>3</sub>	g <sub>L</sub>	k	m <sub>1</sub>	n <sub>1</sub>	m <sub>2</sub>	n <sub>2</sub>	n <sub>3</sub>	n <sub>4</sub>	M DIN 931	M <sub>1</sub> DIN 580	≈ kg	
mm							mm inch	mm																				
200	410	120	45	175	125	350	M24 7/8	26	32	248	147.5	157.5	154.7	6	5.25	16	192.3 <sup>1)</sup>	80	291	88	320	74	111	157	M20	-	21	

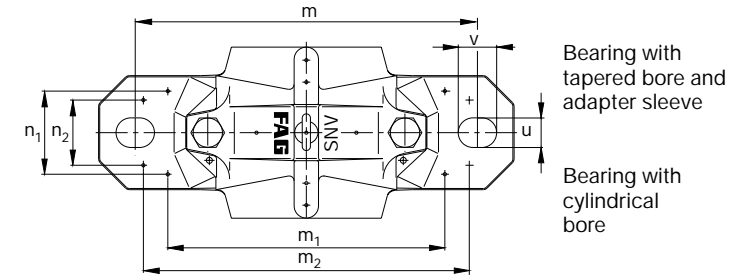
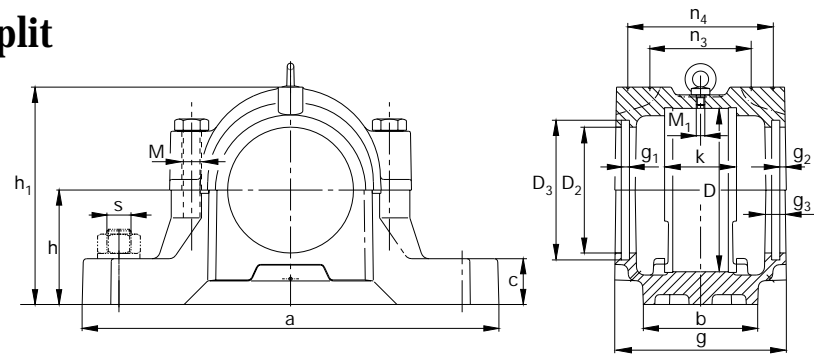
Shaft d <sub>1</sub> d	d <sub>2</sub>	Bearings which fit the housing Unsplit bearings					Split spherical roller bearing FAG	Required accessories										Cover FAG
		Codes according to DIN*						Adapter sleeve	Locknut	Lock washer	Locating ring 2 pieces	Two-lip seal	Labyrinth ring with O ring FAG	Felt seal				
mm	inch	mm						FAG	FAG	FAG	FAG	FAG	FAG	FAG	FAG			
<b>85</b>			1319K	20319K	21319K	2319K	22319K	H319 H2319				FRM200/17,5 FRM200/6,5	DH619 DH619	TSV619 TSV619	FSV619 FSV619	DKV200 DKV200		
<b>85.725</b>	3 <sup>3</sup> / <sub>8</sub>		1319K	20319K	21319K	2319K	22319K	H319.306 H2319.306				FRM200/17,5 FRM200/6,5	DH619 DH619	TSV619.306 TSV619.306	FSV619 FSV619	DKV200 DKV200		
<b>95</b>		110 110	6319	1319	20319	21319	2319	22319				FRM200/17,5 FRM200/6,5	DH319 DH319	TSV319 TSV319	FSV319 FSV319	DKV200 DKV200		
<b>95.25</b>	3 <sup>3</sup> / <sub>4</sub>		1222K	20222K			22222K	H222.312 H322.312 H2322.312				FRM200/21 FRM200/13,5 FRM200/5,1	DH522.312 DH522.312 DH522.312	TSV522.312 TSV522.312 TSV522.312	FSV522.312 FSV522.312 FSV522.312	DKV200 DKV200 DKV200		
<b>98.425</b>	3 <sup>7</sup> / <sub>8</sub>		1222K	20222K			22222K	H222.314 H322.314 H2322.314				FRM200/21 FRM200/13,5 FRM200/5,1	DH522.314 DH522.314 DH522.314	TSV522.314 TSV522.314 TSV522.314	FSV522.314 FSV522.314 FSV522.314	DKV200 DKV200 DKV200		
<b>100</b>			1222K	20222K			22222K	H222 H322 H2322			222SM100T	FRM200/21 FRM200/13,5 FRM200/13,5 FRM200/5,1	DH522 DH522 DH522	TSV522 TSV522 TSV522	FSV522 FSV522 FSV522	DKV200 DKV200 DKV200		
<b>100.013</b>	3 <sup>15</sup> / <sub>16</sub>		1222K	20222K			22222K	H222.315 H322.315 H2322.315				FRM200/21 FRM200/13,5 FRM200/5,1	DH522 DH522 DH522	TSV522 TSV522 TSV522	FSV522 FSV522 FSV522	DKV200 DKV200 DKV200		
<b>101.6</b>	4		1222K	20222K			22222K	H222.400 H322.400 H2322.400			222S.400	FRM200/21 FRM200/13,5 FRM200/13,5 FRM200/5,1	DH522 DH522 DH522	TSV522.400 TSV522.400 TSV522.400	FSV522.400 FSV522.400 FSV522.400	DKV200 DKV200 DKV200		
<b>110</b>		125 125 125	6222	1222	20222		22222						FRM200/21 FRM200/13,5 FRM200/5,1	DH222 DH222 DH222	TSV222 TSV222 TSV222	FSV222 FSV222 FSV222	DKV200 DKV200 DKV200	

\* The order designation in the code according to DIN can be taken from the catalogue WL 41520EA "FAG Rolling Bearings"

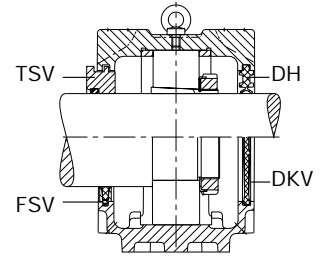
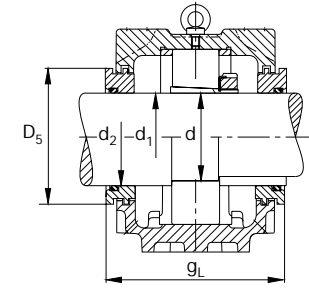
<sup>1)</sup> g<sub>L</sub> = 195.3 mm at TSV522.312, TSV522.314, TSV522, TSV522.400 and TSV222

# FAG Plummer Block Housings, split

for bearings with cylindrical bore and  
for bearings with tapered bore and adapter sleeve



Bearing with tapered bore and adapter sleeve  
Bearing with cylindrical bore



## SNV215

Dimensions		b	c	g	h	m	s	u	v	h <sub>1</sub>	D <sub>2</sub>	D <sub>3</sub>	D <sub>5</sub>	g <sub>1</sub>	g <sub>2</sub>	g <sub>3</sub>	g <sub>L</sub>	k	m <sub>1</sub>	n <sub>1</sub>	m <sub>2</sub>	n <sub>2</sub>	n <sub>3</sub>	n <sub>4</sub>	M DIN 931	M <sub>1</sub> DIN 580	Mass ≈ kg
D	a						mm inch	mm																			
215	410	120	45	180	140	350	M24 7/8	26	32	271	157.5	167.5	164.7	6	5.25	16	197.3 <sup>1)</sup>	86	297	91	330	74	117	162	M20	M10	24.5

Shaft d <sub>1</sub> d	d <sub>2</sub>	Bearings which fit the housing Unsplit bearings						Split spherical roller bearing FAG	Required accessories										Cover FAG							
		Codes according to DIN*							Adapter sleeve FAG	Locknut FAG	Lock washer FAG	Locating ring 2 pieces FAG	Two-lip seal FAG	Labyrinth ring with O ring FAG	Felt seal FAG											
mm inch	mm	1320K	20320K	21320K	2320K	22320K		FAG	FAG	FAG	FAG	FAG	FAG	FAG	FAG	FAG	FAG	FAG	FAG	FAG	FAG	FAG	FAG	FAG	FAG	FAG
<b>87.313</b> 3 <sup>7</sup> / <sub>16</sub>		1320K	20320K	21320K	2320K	22320K			H320.307 H2320.307				FRM215/19,5 FRM215/6,5	DH620.307	TSV620.307	FSV620.307	DKV215									
<b>88.9</b> 3 <sup>1</sup> / <sub>2</sub>		1320K	20320K	21320K	2320K	22320K			H320.308 H2320.308				FRM215/19,5 FRM215/6,5	DH620	TSV620.308	FSV620.308	DKV215									
<b>90</b>		1320K	20320K	21320K	2320K	22320K			H320 H2320				FRM215/19,5 FRM215/6,5	DH620	TSV620	FSV620	DKV215									
<b>92.075</b> 3 <sup>5</sup> / <sub>8</sub>		1320K	20320K	21320K	2320K	22320K			H320.310 H2320.310				FRM215/19,5 FRM215/6,5	DH620.310	TSV620.310	FSV620.310	DKV215									
<b>93.663</b> 3 <sup>11</sup> / <sub>16</sub>		1320K	20320K	21320K	2320K	22320K			H320.311 H2320.311				FRM215/19,5 FRM215/6,5	DH620.310	TSV620.311	FSV620.311	DKV215									
<b>100</b>		115 115	6320	1320	20320	21320	2320	22320						KM20 KM20	MB20A MB20A	FRM215/19,5 FRM215/6,5	DH320	TSV320	FSV320	DKV215						
<b>106.363</b> 4 <sup>3</sup> / <sub>16</sub>					20224K			22224K			23224K	222S.403														
													H3024.403 H3124.403 H2324.403													
<b>107.95</b> 4 <sup>1</sup> / <sub>4</sub>					20224K			22224K			23224K		H3024.404 H3124.404 H2324.404													
<b>110</b>					20224K			22224K			23224K	222SM110T														
<b>120</b>		135 135 135	6224		20224			22224			23224															

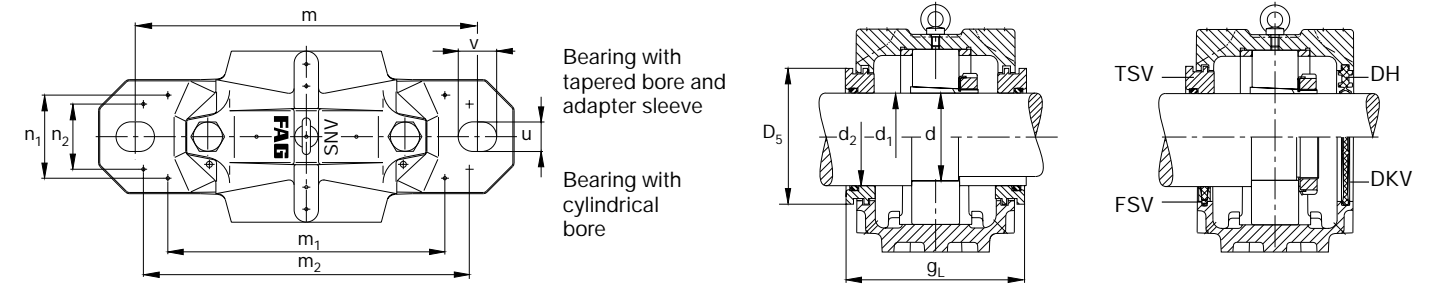
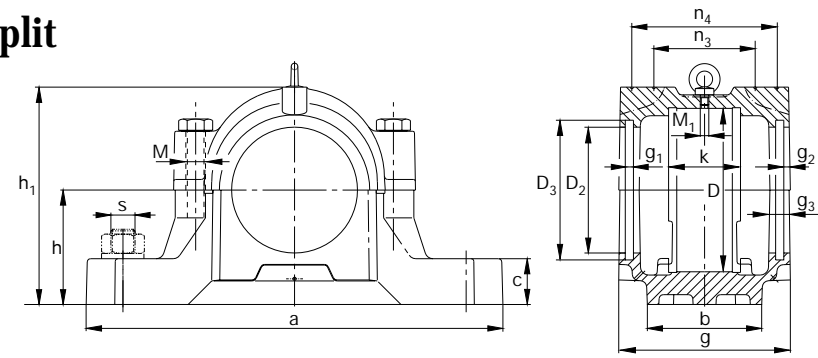
\* The order designation in the code according to DIN can be taken from the catalogue WL 41520EA "FAG Rolling Bearings"

<sup>1)</sup> g<sub>L</sub> = 200.3 mm at TSV524.403, TSV524.404, TSV524 and TSV224



# FAG Plummer Block Housings, split

for bearings with cylindrical bore and  
for bearings with tapered bore and adapter sleeve



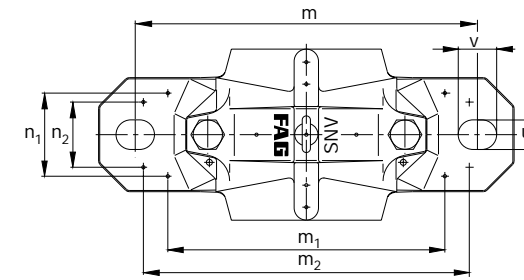
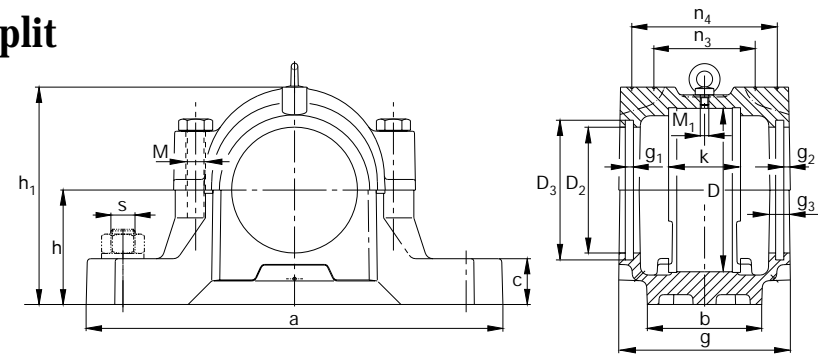
## SNV240

Dimensions		b	c	g	h	m	s	u	v	h <sub>1</sub>	D <sub>2</sub>	D <sub>3</sub>	D <sub>5</sub>	g <sub>1</sub>	g <sub>2</sub>	g <sub>3</sub>	g <sub>L</sub>	k	m <sub>1</sub>	n <sub>1</sub>	m <sub>2</sub>	n <sub>2</sub>	n <sub>3</sub>	n <sub>4</sub>	M DIN 931	M <sub>1</sub> DIN 580	Mass ≈ kg	
D	a						mm	inch	mm				mm	mm	mm	mm	mm	mm	mm									
240	450	130	50	185	150	390	M24	1	28	35	298	147.5	157.5	154.7	6	6.25	18	203.3	90	328	96	370	80	120	165	M24	M10	32
<b>Shaft</b> d <sub>1</sub> d																												
mm	inch						mm	inch	mm																			
							Bearings which fit the housing Unsplit bearings							Required accessories														
							Codes according to DIN*							Adapter sleeve	Locknut	Lock washer	Locating ring 2 pieces	Two-lip seal	Labyrinth ring with O ring	Felt seal	Cover							
														FAG	FAG	FAG	FAG	FAG	FAG	FAG	FAG							
<b>95.25</b>	<b>3<sup>3</sup>/<sub>4</sub></b>						20322K	21322K			22322K			H322.312 H2322.312			FRM240/20 FRM240/5	DH522.312 DH522.312	TSV522.312 TSV522.312	FSV522.312 FSV522.312	DKV200 DKV200							
<b>98.425</b>	<b>3<sup>7</sup>/<sub>8</sub></b>						20322K	21322K			22322K			H322.314 H2322.314			FRM240/20 FRM240/5	DH522.314 DH522.314	TSV522.314 TSV522.314	FSV522.314 FSV522.314	DKV200 DKV200							
<b>100</b>							20322K	21322K			22322K			H322 H2322			FRM240/20 FRM240/5	DH522 DH522	TSV522 TSV522	FSV522 FSV522	DKV200 DKV200							
<b>100.013</b>	<b>3<sup>15</sup>/<sub>16</sub></b>						20322K	21322K			22322K			H322.315 H2322.315			FRM240/20 FRM240/5	DH522 DH522	TSV522 TSV522	FSV522 FSV522	DKV200 DKV200							
<b>101.6</b>	<b>4</b>						20322K	21322K			22322K			H322.400 H2322.400			FRM240/20 FRM240/5	DH522 DH522	TSV522.400 TSV522.400	FSV522.400 FSV522.400	DKV200 DKV200							
<b>110</b>			125 125	6322			20322	21322			22322				KM22 KM22	MB22 MB22	FRM240/20 FRM240/5	DH222 DH222	TSV222 TSV222	FSV222 FSV222	DKV200 DKV200							

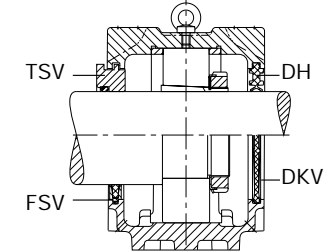
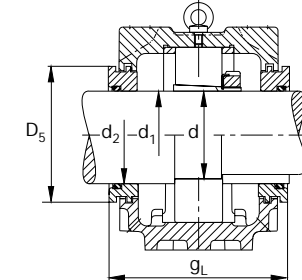
\* The order designation in the code according to DIN can be taken from the catalogue WL 41520EA "FAG Rolling Bearings"

# FAG Plummer Block Housings, split

for bearings with cylindrical bore and  
for bearings with tapered bore and adapter sleeve



Bearing with tapered bore and adapter sleeve  
Bearing with cylindrical bore



## SNV250

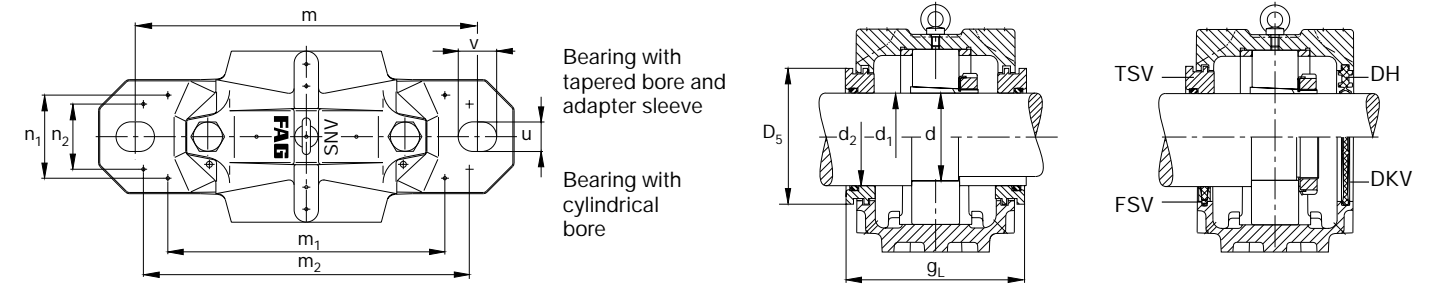
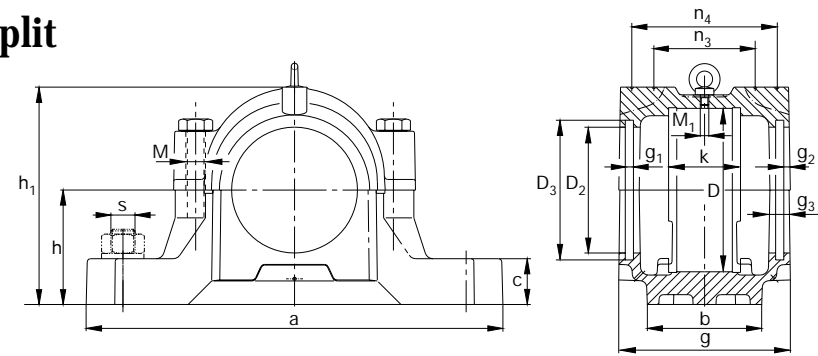
Dimensions																						Mass						
D	a	b	c	g	h	m	s	u	v	h <sub>1</sub>	D <sub>2</sub>	D <sub>3</sub>	D <sub>5</sub>	g <sub>1</sub>	g <sub>2</sub>	g <sub>3</sub>	g <sub>L</sub>	k	m <sub>1</sub>	n <sub>1</sub>	m <sub>2</sub>	n <sub>2</sub>	n <sub>3</sub>	n <sub>4</sub>	M DIN 931	M <sub>1</sub> DIN 580	≈ kg	
mm							mm inch	mm																				
250	500	150	50	200	150	420	M30 1 <sup>1</sup> / <sub>4</sub>	35	42	304	177.5	187.5	184.2	6	6.25	18	218.3	98	342	109	400	92	131	180	M24	M10	38	

Shaft d <sub>1</sub> d	d <sub>2</sub>	Bearings which fit the housing		Split spherical roller bearing	Required accessories									
mm	inch	mm	Codes according to DIN*	FAG	Adapter sleeve	Locknut	Lock washer	Locating ring 2 pieces	Two-lip seal	Labyrinth ring with O ring	Felt seal	Cover		
				FAG	FAG	FAG	FAG	FAG	FAG	FAG	FAG	FAG		
125			20228K	22228K 222SM125T 23228K	H3028 H3128 H2328			FRM250/28 FRM250/15 FRM250/15 FRM250/5	DH528 DH528 DH528	TSV528 TSV528 TSV528	FSV528 FSV528 FSV528	DKV250 DKV250 DKV250		
125.413	4 <sup>15</sup> / <sub>16</sub>		20228K	22228K 23228K	H3028.415 H3128.415 H2328.415			FRM250/28 FRM250/15 FRM250/15 FRM250/5	DH528 DH528 DH528	TSV528.415 TSV528.415 TSV528.415	FSV528 FSV528 FSV528	DKV250 DKV250 DKV250		
127	5		20228K	22228K 222S.500 23228K	H3028.500 H3128.500 H2328.500			FRM250/28 FRM250/15 FRM250/15 FRM250/5	DH528 DH528 DH528	TSV528.500 TSV528.500 TSV528.500	FSV528.500 FSV528.500 FSV528.500	DKV250 DKV250 DKV250		
140		155 155 155	6228	20228 22228 23228				FRM250/28 FRM250/15 FRM250/5	DH228 DH228 DH228	TSV228 TSV228 TSV228	FSV228 FSV228 FSV228	DKV250 DKV250 DKV250		

\* The order designation in the code according to DIN can be taken from the catalogue WL 41520EA "FAG Rolling Bearings"

# FAG Plummer Block Housings, split

for bearings with cylindrical bore and  
for bearings with tapered bore and adapter sleeve



Bearing with tapered bore and adapter sleeve

Bearing with cylindrical bore

## SNV260

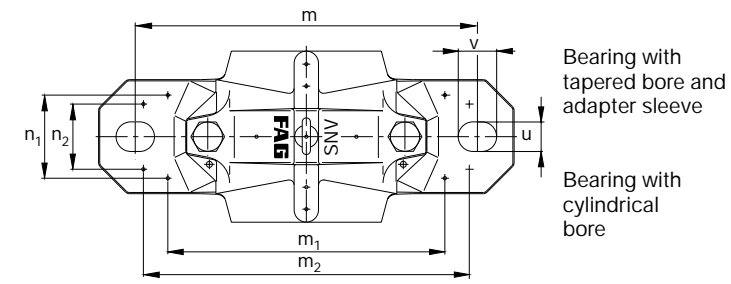
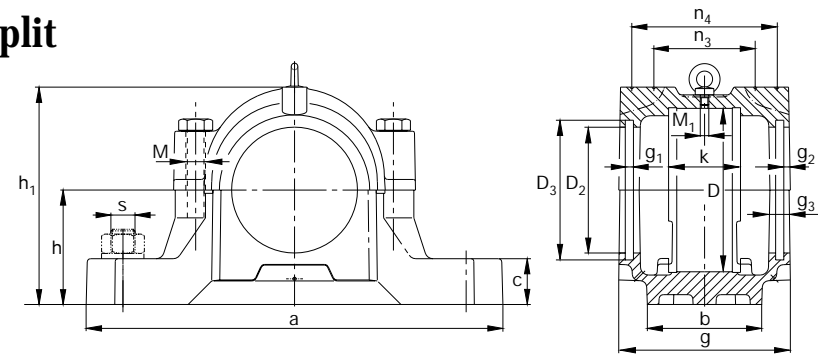
Dimensions		b	c	g	h	m	s	u	v	h <sub>1</sub>	D <sub>2</sub>	D <sub>3</sub>	D <sub>5</sub>	g <sub>1</sub>	g <sub>2</sub>	g <sub>3</sub>	g <sub>L</sub>	k	m <sub>1</sub>	n <sub>1</sub>	m <sub>2</sub>	n <sub>2</sub>	n <sub>3</sub>	n <sub>4</sub>	M DIN 931	M <sub>1</sub> DIN 580	Mass ≈ kg
D	a						mm inch	mm																			
260	530	160	60	190	160	450	M30 1 <sup>1</sup> / <sub>4</sub>	35	42	321	157.5	167.5	164.7	6	6.25	18	208.3	96	372	113	430	100	125	170	M24	M10	48

Shaft d <sub>1</sub> d	d <sub>2</sub>	Bearings which fit the housing		Split spherical roller bearing	Required accessories											
		Unsplit bearings	Codes according to DIN*		FAG	Adapter sleeve	Locknut	Lock washer	Locating ring 2 pieces	Two-lip seal	Labyrinth ring with O ring	Felt seal	Cover			
mm	inch	mm		FAG	FAG	FAG	FAG	FAG	FAG	FAG	FAG	FAG	FAG	FAG	FAG	FAG
<b>106.363</b>	<b>4<sup>3</sup>/<sub>16</sub></b>		20324K		22324K	H3124.403 H2324.403				FRM260/20,5 FRM260/5	DH524.403 DH524.403	TSV524.403 TSV524.403	FSV524.403 FSV524.403	DKV215 DKV215		
<b>107.95</b>	<b>4<sup>1</sup>/<sub>4</sub></b>		20324K		22324K	H3124.404 H2324.404				FRM260/20,5 FRM260/5	DH524.403 DH524.403	TSV524.404 TSV524.404	FSV524.404 FSV524.404	DKV215 DKV215		
<b>110</b>			20324K		22324K	H3124 H2324				FRM260/20,5 FRM260/5	DH524 DH524	TSV524 TSV524	FSV524 FSV524	DKV215 DKV215		
<b>120</b>		135 135	6324	20324	22324					FRM260/20,5 FRM260/5	DH224 DH224	TSV224 TSV224	FSV224 FSV224	DKV215 DKV215		

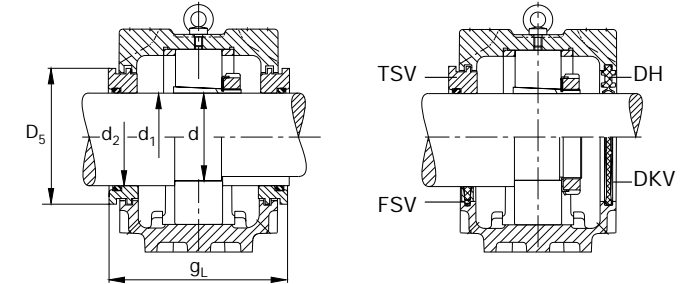
\* The order designation in the code according to DIN can be taken from the catalogue WL 41520EA "FAG Rolling Bearings"

# FAG Plummer Block Housings, split

for bearings with cylindrical bore and  
for bearings with tapered bore and adapter sleeve



Bearing with tapered bore and adapter sleeve  
Bearing with cylindrical bore



## SNV270

Dimensions																								Mass				
D	a	b	c	g	h	m	s	u	v	h <sub>1</sub>	D <sub>2</sub>	D <sub>3</sub>	D <sub>5</sub>	g <sub>1</sub>	g <sub>2</sub>	g <sub>3</sub>	g <sub>L</sub>	k	m <sub>1</sub>	n <sub>1</sub>	m <sub>2</sub>	n <sub>2</sub>	n <sub>3</sub>	n <sub>4</sub>	M DIN 931	M <sub>1</sub> DIN 580	≈ kg	
mm							mm inch	mm																				
270	530	160	60	215	160	450	M30 1 <sup>1</sup> / <sub>4</sub>	35	42	328	192.5	202.5	199.2	6	6.25	18	233.3	106	372	116	430	100	143	195	M24	M10	45.5	

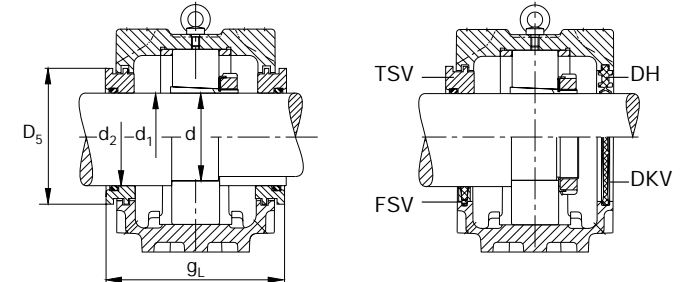
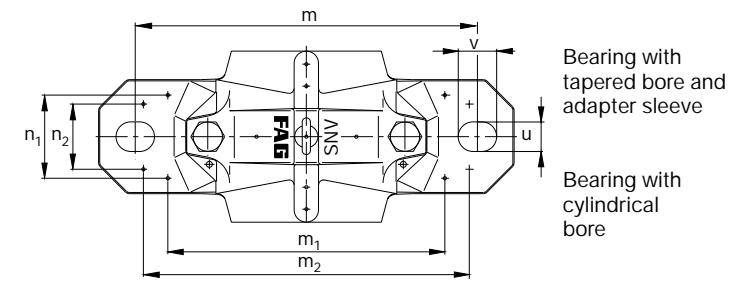
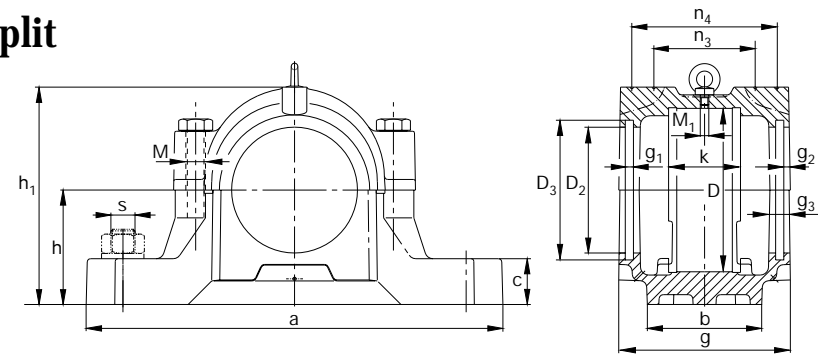
Shaft d <sub>1</sub> d	d <sub>2</sub>	Bearings which fit the housing		Split spherical roller bearing	Required accessories											
		Unsplit bearings	Codes according to DIN*		FAG	Adapter sleeve	Locknut	Lock washer	Locating ring 2 pieces	Two-lip seal	Labyrinth ring with O ring	Felt seal	Cover			
mm	inch	mm		FAG	FAG	FAG	FAG	FAG	FAG	FAG	FAG	FAG	FAG	FAG	FAG	FAG
131.763	5 <sup>3</sup> / <sub>16</sub>	20230K		22230K 222S.503	H3030.503				FRM270/30,5	DH530.503	TSV530.503	FSV530.503	DKV270			
					H3130.503				FRM270/16,5	DH530.503	TSV530.503	FSV530.503	DKV270			
					H2330.503				FRM270/16,5	DH530.503	TSV530.503	FSV530.503	DKV270			
133.35	5 <sup>1</sup> / <sub>4</sub>	20230K		22230K 23230K	H3030.504				FRM270/30,5	DH530.504	TSV530.504	FSV530.504	DKV270			
					H3130.504				FRM270/16,5	DH530.504	TSV530.504	FSV530.504	DKV270			
					H2330.504				FRM270/5	DH530.504	TSV530.504	FSV530.504	DKV270			
135		20230K		22230K 222SM135T	H3030				FRM270/30,5	DH530	TSV530	FSV530	DKV270			
					H3130				FRM270/16,5	DH530	TSV530	FSV530	DKV270			
					H2330				FRM270/16,5	DH530	TSV530	FSV530	DKV270			
150	165	6230	20230	22230 23230					FRM270/30,5	DH230	TSV230	FSV230	DKV270			
									FRM270/16,5	DH230	TSV230	FSV230	DKV270			
									FRM270/5	DH230	TSV230	FSV230	DKV270			

\* The order designation in the code according to DIN can be taken from the catalogue WL 41520EA "FAG Rolling Bearings"



# FAG Plummer Block Housings, split

for bearings with cylindrical bore and  
for bearings with tapered bore and adapter sleeve



## SNV290

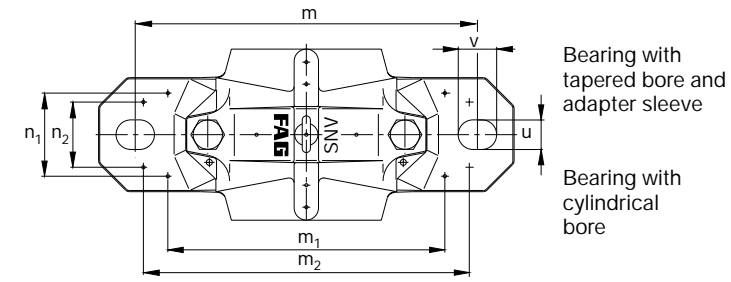
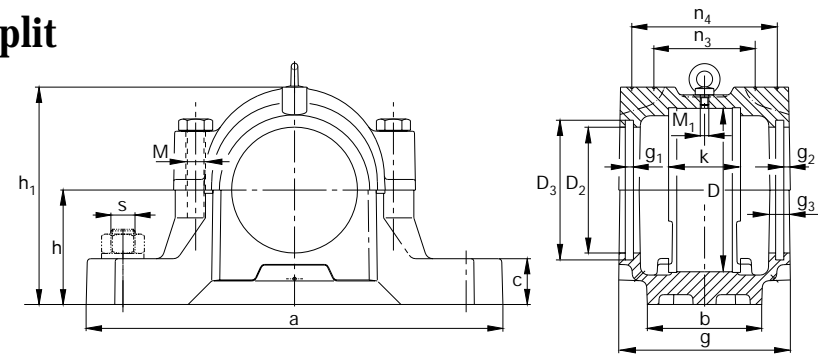
Dimensions																								Mass				
D	a	b	c	g	h	m	s	u	v	h <sub>1</sub>	D <sub>2</sub>	D <sub>3</sub>	D <sub>5</sub>	g <sub>1</sub>	g <sub>2</sub>	g <sub>3</sub>	g <sub>L</sub>	k	m <sub>1</sub>	n <sub>1</sub>	m <sub>2</sub>	n <sub>2</sub>	n <sub>3</sub>	n <sub>4</sub>	M DIN 931	M <sub>1</sub> DIN 580	≈ kg	
mm							mm inch	mm																				
290	550	160	60	225	170	470	M30 1 <sup>1</sup> / <sub>4</sub>	35	42	351	202.5	212.5	209.2	6	6.25	18	243.3	114	392	120	450	100	152	205	M24	M10	53.8	

Shaft d <sub>1</sub> d	d <sub>2</sub>	Bearings which fit the housing Unsplit bearings		Split spherical roller bearing	Required accessories										Cover
mm	inch	mm	Codes according to DIN*	FAG	Adapter sleeve	Locknut	Lock washer	Locating ring 2 pieces	Two-lip seal	Labyrinth ring with O ring FAG	Felt seal	Cover			
					FAG	FAG	FAG	FAG	FAG	FAG	FAG	FAG			
138.113	5 <sup>7</sup> / <sub>16</sub>		20232K	22232K 23232K 222S.507	H3032.507 H3132.507 H2332.507			FRM290/33 FRM290/17 FRM290/17 FRM290/5	DH532.507 DH532.507 DH532.507 DH532.507	TSV532.507 TSV532.507 TSV532.507 TSV532.507	FSV532.507 FSV532.507 FSV532.507 FSV532.507	DKV290 DKV290 DKV290 DKV290			
139.7	5 <sup>1</sup> / <sub>2</sub>		20232K	22232K 23232K	H3032.508 H3132.508 H2332.508			FRM290/33 FRM290/17 FRM290/17 FRM290/5	DH532 DH532 DH532	TSV532 TSV532 TSV532	FSV532 FSV532 FSV532	DKV290 DKV290 DKV290			
140			20232K	22232K 23232K 222SM140T	H3032 H3132 H2332			FRM290/33 FRM290/17 FRM290/17 FRM290/5	DH532 DH532 DH532 DH532	TSV532 TSV532 TSV532 TSV532	FSV532 FSV532 FSV532 FSV532	DKV290 DKV290 DKV290 DKV290			
160		175 175 175	6232	20232 22232 23232				FRM290/33 FRM290/17 FRM290/5	DH232 DH232 DH232	TSV232 TSV232 TSV232	FSV232 FSV232 FSV232	DKV290 DKV290 DKV290			

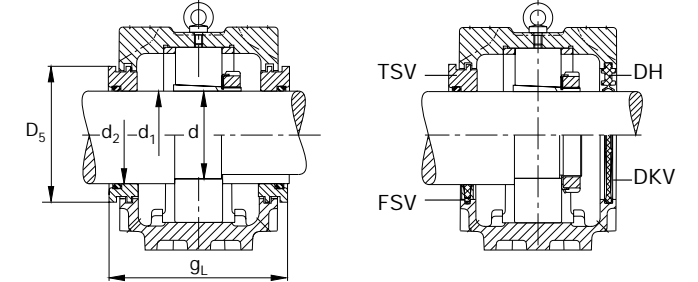
\* The order designation in the code according to DIN can be taken from the catalogue WL 41520EA "FAG Rolling Bearings"

# FAG Plummer Block Housings, split

for bearings with cylindrical bore and  
for bearings with tapered bore and adapter sleeve



Bearing with tapered bore and adapter sleeve  
Bearing with cylindrical bore



## SNV300

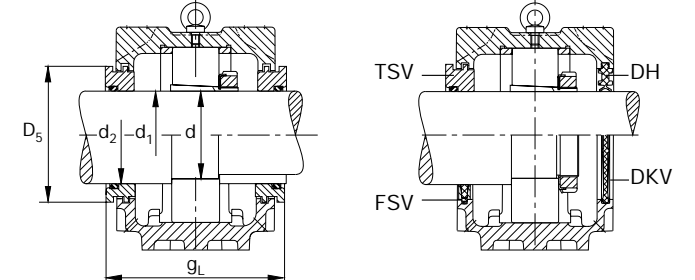
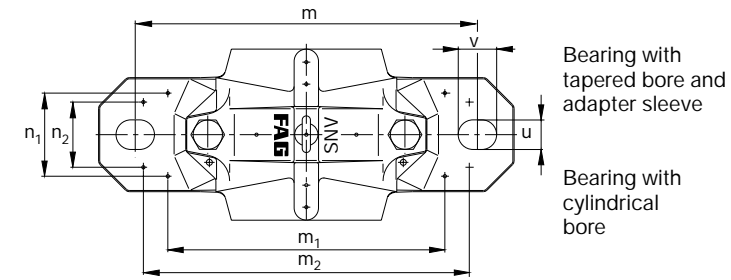
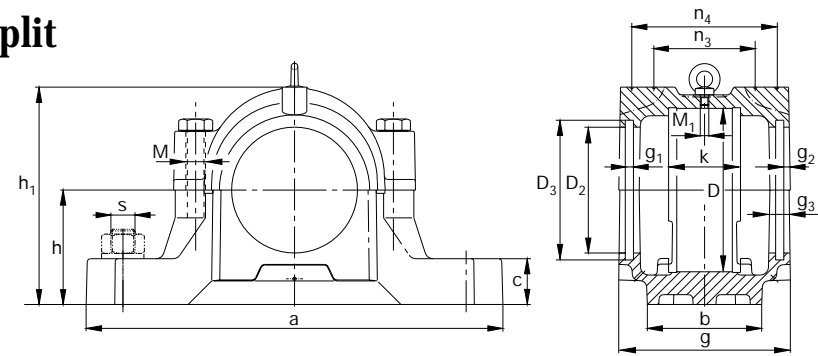
Dimensions																						Mass						
D	a	b	c	g	h	m	s	u	v	h <sub>1</sub>	D <sub>2</sub>	D <sub>3</sub>	D <sub>5</sub>	g <sub>1</sub>	g <sub>2</sub>	g <sub>3</sub>	g <sub>L</sub>	k	m <sub>1</sub>	n <sub>1</sub>	m <sub>2</sub>	n <sub>2</sub>	n <sub>3</sub>	n <sub>4</sub>	M DIN 931	M <sub>1</sub> DIN 580	≈ kg	
mm							mm inch	mm																				
300	620	170	65	215	180	520	M30 1 <sup>1</sup> / <sub>4</sub>	35	42	366	177.5	187.5	184.2	6	6.25	18	233.3	112	442	123	500	100	146	195	M24	M10	70	

Shaft d <sub>1</sub> d	d <sub>2</sub>	Bearings which fit the housing		Split spherical roller bearing	Required accessories															
		Unsplit bearings	Codes according to DIN*		Adapter sleeve	Locknut	Lock washer	Locating ring 2 pieces	Two-lip seal	Labyrinth ring with O ring	Felt seal	Cover								
mm	inch	mm		FAG	FAG	FAG	FAG	FAG	FAG	FAG	FAG	FAG	FAG	FAG	FAG	FAG				
125			20328K	22328K	H3128 H2328				FRM300/25 FRM300/5	DH528 DH528	TSV528 TSV528	FSV528 FSV528	DKV250 DKV250							
125.413	4 <sup>15</sup> / <sub>16</sub>		20328K	22328K	H3128.415 H2328.415				FRM300/25 FRM300/5	DH528 DH528	TSV528.415 TSV528.415	FSV528 FSV528	DKV250 DKV250							
127	5		20328K	22328K	H3128.500 H2328.500				FRM300/25 FRM300/5	DH528 DH528	TSV528.500 TSV528.500	FSV528.500 FSV528.500	DKV250 DKV250							
140		160 160	6328	20328	22328									KM28 KM28	MB28 MB28	FRM300/25 FRM300/5	DH328 DH328	TSV328 TSV328	FSV328 FSV328	DKV250 DKV250

\* The order designation in the code according to DIN can be taken from the catalogue WL 41520EA "FAG Rolling Bearings"

# FAG Plummer Block Housings, split

for bearings with cylindrical bore and  
for bearings with tapered bore and adapter sleeve



## SNV320

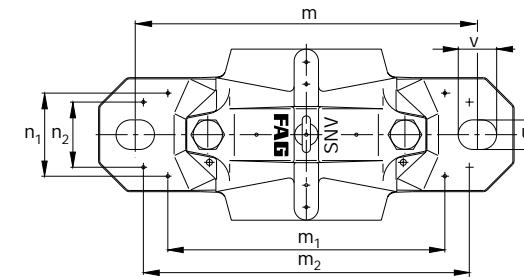
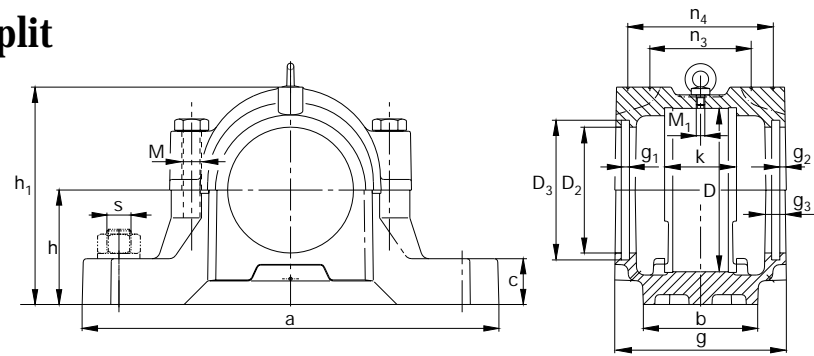
Dimensions		b	c	g	h	m	s	u	v	h <sub>1</sub>	D <sub>2</sub>	D <sub>3</sub>	D <sub>5</sub>	g <sub>1</sub>	g <sub>2</sub>	g <sub>3</sub>	g <sub>L</sub>	k	m <sub>1</sub>	n <sub>1</sub>	m <sub>2</sub>	n <sub>2</sub>	n <sub>3</sub>	n <sub>4</sub>	M DIN 931	M <sub>1</sub> DIN 580	Mass ≈ kg
D	a						mm inch	mm																			
320	650	180	65	225	190	560	M30 1 1/4	35	42	386	192.5	202.5	199.2	6	6.25	18	243.3	118	482	130	540	100	154	205	M24	M10	95

Shaft d <sub>1</sub> d	d <sub>2</sub>	Bearings which fit the housing		Split spherical roller bearing	Required accessories																			
		Unsplit bearings	Codes according to DIN*		FAG	Adapter sleeve	Locknut	Lock washer	Locating ring 2 pieces	Two-lip seal	Labyrinth ring with O ring FAG	Felt seal	Cover											
mm	inch	mm		FAG	FAG	FAG	FAG	FAG	FAG	FAG	FAG	FAG	FAG	FAG	FAG	FAG								
131.763	5 <sup>3</sup> / <sub>16</sub>		20330K	22330K	H3130.503 H2330.503					FRM320/26,5 FRM320/5	DH530.503 DH530.503	TSV530.503 TSV530.503	FSV530.503 FSV530.503	DKV270 DKV270										
133.35	5 <sup>1</sup> / <sub>4</sub>		20330K	22330K	H3130.504 H2330.504					FRM320/26,5 FRM320/5	DH530.504 DH530.504	TSV530.504 TSV530.504	FSV530.504 FSV530.504	DKV270 DKV270										
135			20330K	22330K	H3130 H2330					FRM320/26,5 FRM320/5	DH530 DH530	TSV530 TSV530	FSV530 FSV530	DKV270 DKV270										
150		170 170	6330	20330				22330							KM30 KM30	MB30 MB30	FRM320/26,5 FRM320/5				DH330 DH330	TSV330 TSV330	FSV330 FSV330	DKV270 DKV270

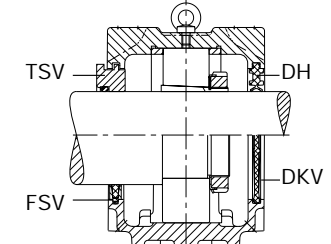
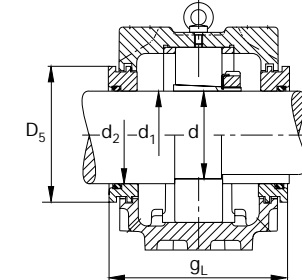
\* The order designation in the code according to DIN can be taken from the catalogue WL 41520EA "FAG Rolling Bearings"

# FAG Plummer Block Housings, split

for bearings with cylindrical bore and  
for bearings with tapered bore and adapter sleeve



Bearing with tapered bore and adapter sleeve  
Bearing with cylindrical bore



## SNV340

Dimensions																						Mass						
D	a	b	c	g	h	m	s	u	v	h <sub>1</sub>	D <sub>2</sub>	D <sub>3</sub>	D <sub>5</sub>	g <sub>1</sub>	g <sub>2</sub>	g <sub>3</sub>	g <sub>L</sub>	k	m <sub>1</sub>	n <sub>1</sub>	m <sub>2</sub>	n <sub>2</sub>	n <sub>3</sub>	n <sub>4</sub>	M DIN 931	M <sub>1</sub> DIN 580	≈ kg	
mm							mm	inch	mm																			
340	680	190	70	235	200	580	M36	1 1/2	42	50	406	202.5	212.5	209.2	6	6.25	18	253.3	124	489	138	570	100	162	215	M30	M10	115

Shaft d <sub>1</sub> d	d <sub>2</sub>	Bearings which fit the housing		Split spherical roller bearing	Required accessories												
		Unsplit bearings	Codes according to DIN*		FAG	Adapter sleeve	Locknut	Lock washer	Locating ring 2 pieces	Two-lip seal	Labyrinth ring with O ring	Felt seal	Cover				
mm	inch	mm		FAG	FAG	FAG	FAG	FAG	FAG	FAG	FAG	FAG	FAG	FAG	FAG	FAG	FAG
138.113	5 7/16		20332K		22332K	H3132.507				FRM340/28	DH532.507	TSV532.507	FSV532.507	DKV290			
						H2332.507				FRM340/5	DH532.507	TSV532.507	FSV532.507	DKV290			
139.7	5 1/2		20332K		22332K	H3132.508				FRM340/28	DH532	TSV532	FSV532	DKV290			
						H2332.508				FRM340/5	DH532	TSV532	FSV532	DKV290			
140			20332K		22332K	H3132				FRM340/28	DH532	TSV532	FSV532	DKV290			
						H2332				FRM340/5	DH532	TSV532	FSV532	DKV290			
160		180	6332	20332	22332					FRM340/28	DH332	TSV332	FSV332	DKV290			
		180								FRM340/5	DH332	TSV332	FSV332	DKV290			

\* The order designation in the code according to DIN can be taken from the catalogue WL 41520EA "FAG Rolling Bearings"



---

**FAG Split Plummer Block Housings of Series SNV**  
for shaft diameters of 20 to 160 mm and  $\frac{3}{4}$  to  $5\frac{1}{2}$  inches

**Publ. No. WL 90118/3 EC**

**FAG Bearings Limited**

5965 Coopers Avenue,  
Mississauga, Ontario, Canada L4Z 1R9  
Tel. (0905) 890-9770 · Fax (0905) 890-9779



---

---

## **FAG Split Plummer Block Housings of Series SNV for shaft diameters of 20 to 160 mm and $\frac{3}{4}$ to $5\frac{1}{2}$ inches**

Every care has been taken to ensure the correctness of the information contained in this publication but no liability can be accepted for any errors or omissions. We reserve the right to make changes in the interest of technical progress.

© FAG 1998 · This publication or parts thereof may not be reproduced without our permission.

WL 90 118/3 EA/96/10/98

Printed in Germany by Weppert GmbH & Co. KG, Schweinfurt